

MODEL	REF	CUSTOMER	HP	VOLTS	AMPS	HZ	RPM	ROTATION	CATALOG #	DESCRIPTION / REMARKS
K55HRJH-2166	C41017-x3	WHOLESALE HAC	1/4	115	4.3	60	1075/3 SPD	CCW LE	NAL1026	

KIT WHIT BRACKET ASSEMBLY, RINGS
SCREWS AND NUTS TO BE INCLUDED
IN CARTON BOX.

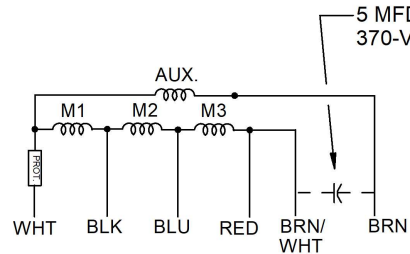
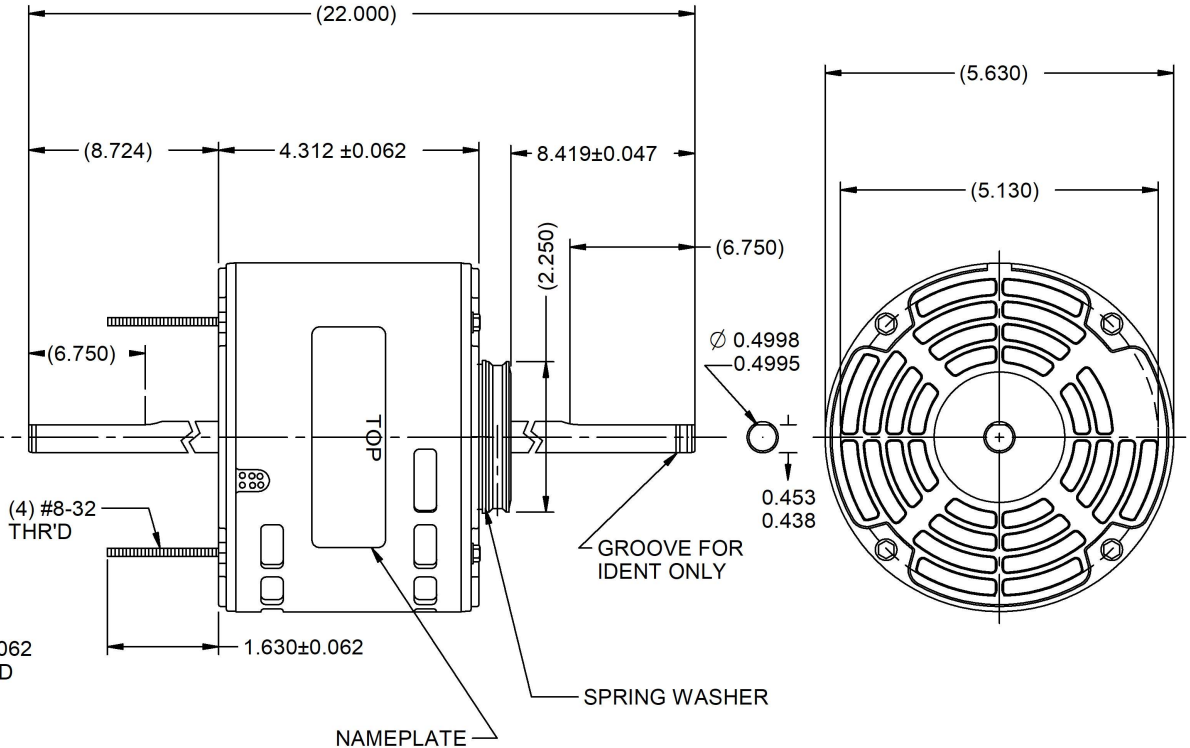
AUTOMATIC THERMAL
PROTECTOR

SEAM WELD
LACATION

(2) .250 FLAG
TYPE Q.C TERMS

#16 GREEN GROUND LEAD
TO BE 24.0±1 BETWEEN CENTERS
OF RERMINALS, TERMINAL TO FIT
#10 SCREW

6 LEADS #18, 0.031 THICK INSUL.
TO EXTEND BEYOND MOTOR:
WHT=36.0±1, BLUE=36.0±1
BLK=36.0±1, RED=36.0±1
BRN=36.0±1, BRN/WHT STRIPE 36.0 ±1
LEADS TO BE PROTECTED WITH GROMMET.



COLOR CODE
WHITE - COMMON
BLACK - HIGH
BLUE - MED
RED - LOW
BROWN - CAPACITOR
BRN/WHT - CAPACITOR

NIDEC MOTOR CORPORATION 16-Jun-15

REFER TO S.E.I.M. 24-1

REVISION RECORD FOR:		ECO-E25005
DELETED NOTE "FIGURES TO BE PRINTED ON LEADS"		
ISSUED BY:	ENGINEER APPROVED:	
C.ALMAGUER	A.LOZANO	

TOLERANCES ON DIMENSIONS (UNLESS OTHERWISE SPECIFIED)	
INCHES .XX = ± .010 .XXX = ± .005	mm
ANGLES X° = ±1°	

NIDEC MOTOR CORPORATION			
INFORMATION DISCLOSED ON THIS DOCUMENT IS CONSIDERED PROPRIETARY AND SHALL NOT BE REPRODUCED OR DISCLOSED WITHOUT WRITTEN CONSENT OF NIDEC MOTOR CORPORATION			
TITLE		CODE	ITEM NO.
CUSTOMER DETAIL DRAWING		V02	805853
REV	SHEET NUMBER	DWG SIZE	REVISION DATE:
B	1 OF 3	B	24-FEB-16