

MODEL	REF	CUSTOMER	HP	VOLTS	AMPS	HZ	RPM	ROTATION	CATALOG #	DESCRIPTION / REMARKS
K55HXRHK-2145	C40969	WHOLESALE HAC	1/3	115	5.70	60/50	1625/3 SPD	CCW LE	NAL1034	

KIT WITH BRACKET ASSEMBLY, RINGS
SCREWS AND NUTS TO BE INCLUDED
IN CARTON BOX.

AUTOMATIC THERMAL
PROTECTOR

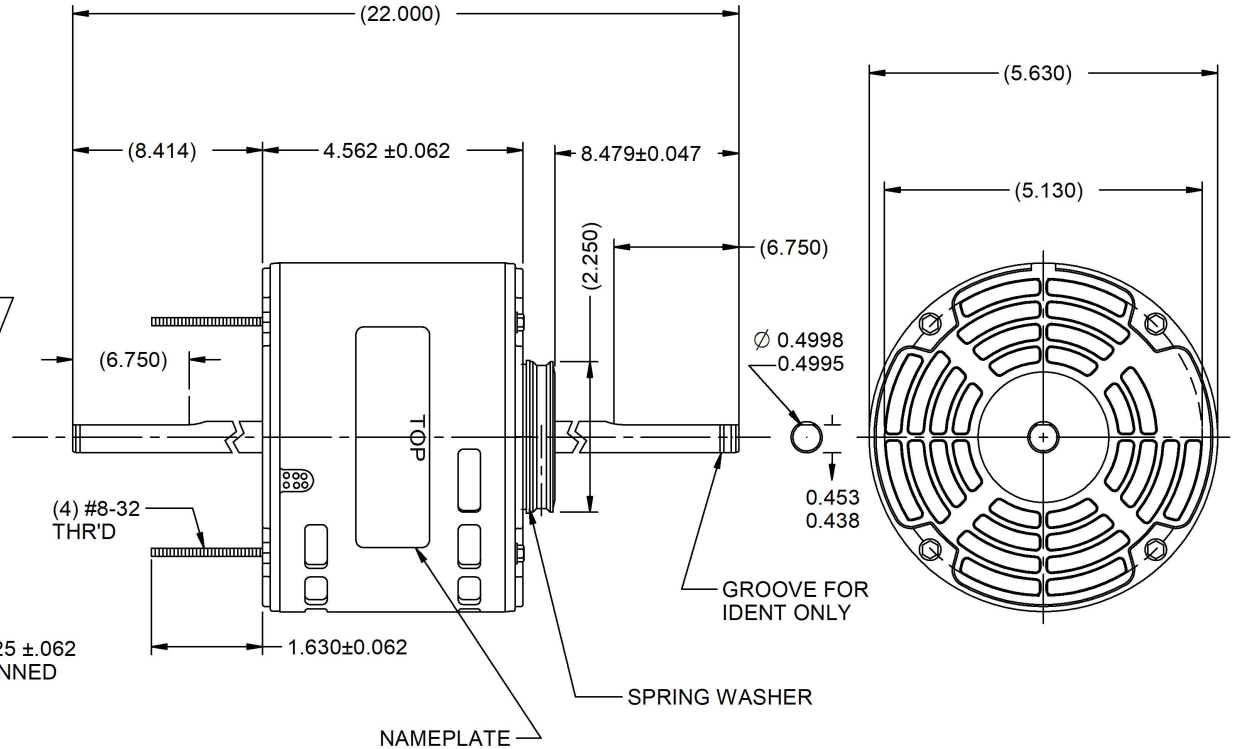
SEAM WELD
LACATION

(2) .250 FLAG
TYPE Q.C TERMS

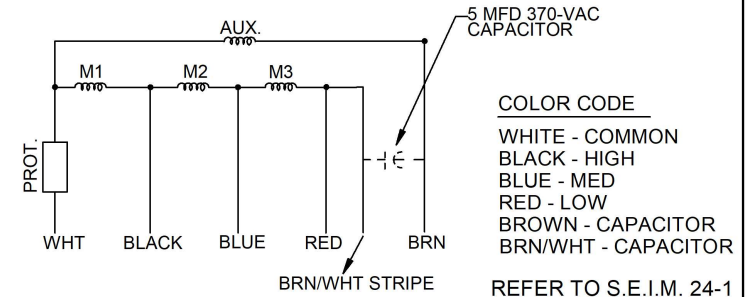
#16 GREEN/YELLOW GROUND LEAD
TO BE 24.0±1 BETWEEN CENTERS
OF TERMINALS, TERMINAL TO FIT
#10 SCREW

6 LEADS #18, 0.031 THICK INSUL.
TO EXTEND BEYOND MOTOR:
WHT=36.0±1, BLUE=36.0±1
BLK=36.0±1, RED=36.0±1
BRN=36.0±1, BRN/WHT STRIPE 36.0 ±1
LEADS TO BE PROTECTED WITH GROMMET.

REV
B



5.0 MFD
370-VAC CAPACITOR



NIDEC MOTOR CORPORATION 24-Feb-16

REVISION RECORD FOR: ECO-E25005

DELETED NOTE "FIGURES TO BE PRINTED ON LEADS"

TOLERANCES ON DIMENSIONS
(UNLESS OTHERWISE SPECIFIED)

INCHES
XX = ± .010
XXX = ± .005

mm

ANGLES X° = ± 1°

NIDEC MOTOR CORPORATION

INFORMATION DISCLOSED ON THIS DOCUMENT IS CONSIDERED PROPRIETARY AND SHALL NOT BE
REPRODUCED OR DISCLOSED WITHOUT WRITTEN CONSENT OF NIDEC MOTOR CORPORATION

REVISION DATE:
24-FEB-16

ISSUED BY: C.ALMAGUER

ENGINEER APPROVED: A.LOZANO

TITLE
CUSTOMER DETAIL DRAWING

CODE
V02

ITEM NO.
806681

REV
B

SHEET
NUMBER
1 OF 3

DWG
SIZE
B