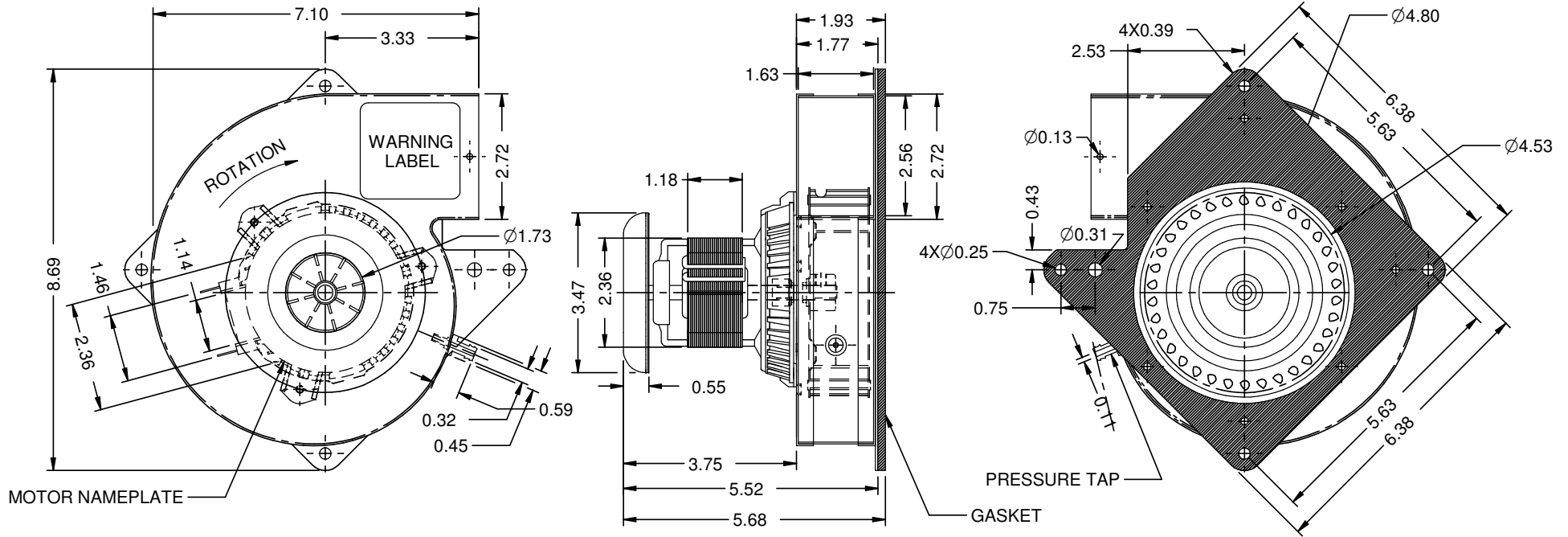
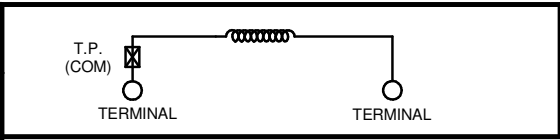


MODEL	HP	VOLTS	AMPS	ROTATION	DESCRIPTION/REMARKS
B1880441600000B	1/30	115V	1.6A	CCWSE	PALLET QTY 120
BLOWER SPECIFICATIONS					
CAT #	N157	ROTATION	CCWSE		
HP	1/30	BEARING TYPE	BALL BEARING		
VOLTS	115V	MOTOR TYPE	SHADE POLE		
HERTZ	60HZ	PROTECTOR	AUTO		
SPEEDS	1	PHASE	SINGLE		
AMPS	1.6A	INSULATION CLASS	B		
RPM	3000	CFM	94.37@FREE AIR		



NIDEC MOTOR CORPORATION 08-OCT-15

REVISION RECORD FOR:	ECO: E24565
CREATED DRAWING	
ISSUED BY:	F. GARCIA
ENGINEER APPROVED:	T. BOURQUIN

TOLERANCES ON DIMENSIONS (UNLESS OTHERWISE SPECIFIED)	
INCHES .XX = ± .010 .XXX = ± .005	mm
ANGLES X° = ± 1°	

NIDEC MOTOR CORPORATION				
INFORMATION DISCLOSED ON THIS DOCUMENT IS CONSIDERED PROPRIETARY AND SHALL NOT BE REPRODUCED OR DISCLOSED WITHOUT WRITTEN CONSENT OF NIDEC MOTOR CORPORATION				REVISION DATE:
TITLE				08-OCT-15
CODE	ITEM NO.	REV	SHEET NUMBER	DWG SIZE
V02	807914	--	1 OF 2	B