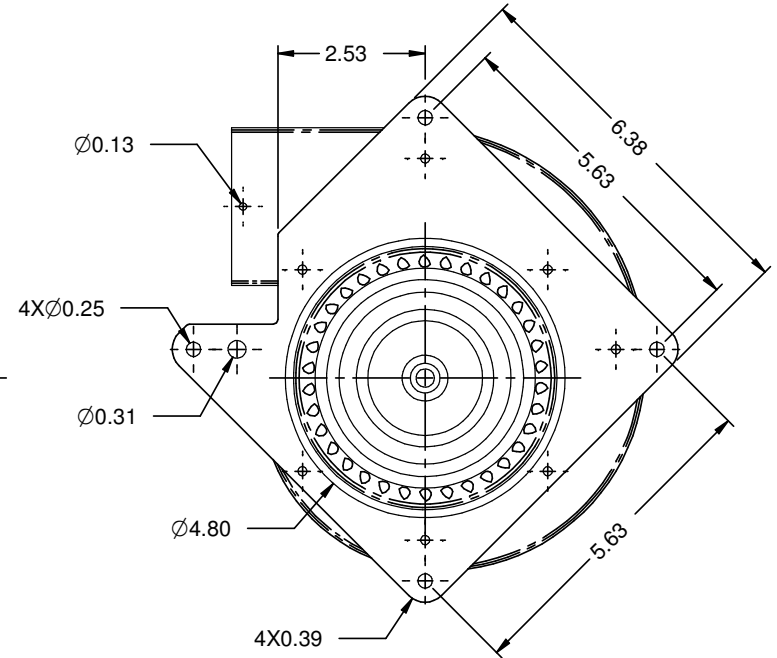
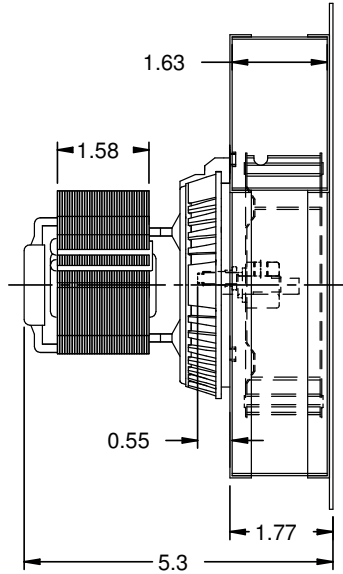
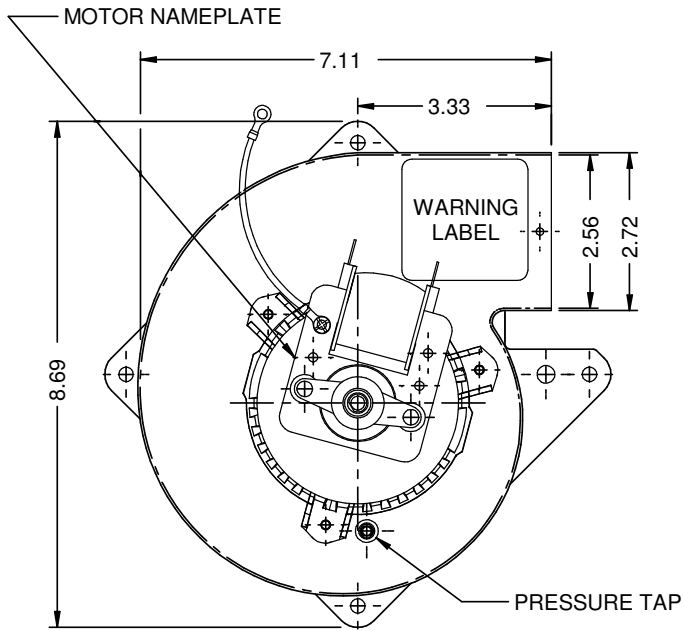
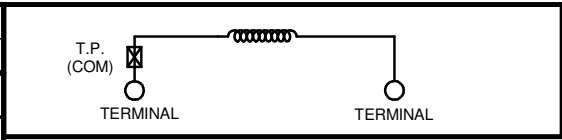


MODEL	HP	VOLTS	AMPS	ROTATION	DESCRIPTION/REMARKS
B1880475900000B	1/30	115V	1.2A	CCWSE	PALLET QTY 200
BLOWER SPECIFICATIONS					
CAT #	N200	ROTATION	CCWSE		
HP	1/30	BEARING TYPE	BALL BEARING		
VOLTS	115V	MOTOR TYPE	SHADE POLE		
HERTZ	60HZ	PROTECTOR	AUTO		
SPEEDS	1	PHASE	SINGLE		
AMPS	1.2A	INSULATION CLASS	B		
RPM	3000	CFM	82.34@FREE AIR		



NIDEC MOTOR CORPORATION 08-OCT-15

CREATED DRAWING	REVISION RECORD FOR: ECO: E24565
ISSUED BY: F. GARCIA	ENGINEER APPROVED: T. BOURQUIN

TOLERANCES ON DIMENSIONS (UNLESS OTHERWISE SPECIFIED)	
INCHES .XX = ± .010 .XXX = ± .005	mm
ANGLES X° = ±1°	

NIDEC MOTOR CORPORATION			
INFORMATION DISCLOSED ON THIS DOCUMENT IS CONSIDERED PROPRIETARY AND SHALL NOT BE REPRODUCED OR DISCLOSED WITHOUT WRITTEN CONSENT OF NIDEC MOTOR CORPORATION			REVISION DATE: 08-OCT-15
TITLE: CUSTOMER DETAIL DRAWING	CODE: V02	ITEM NO.: 807915	REV: --
SHEET NUMBER: 1 OF 2		DWG SIZE: B	