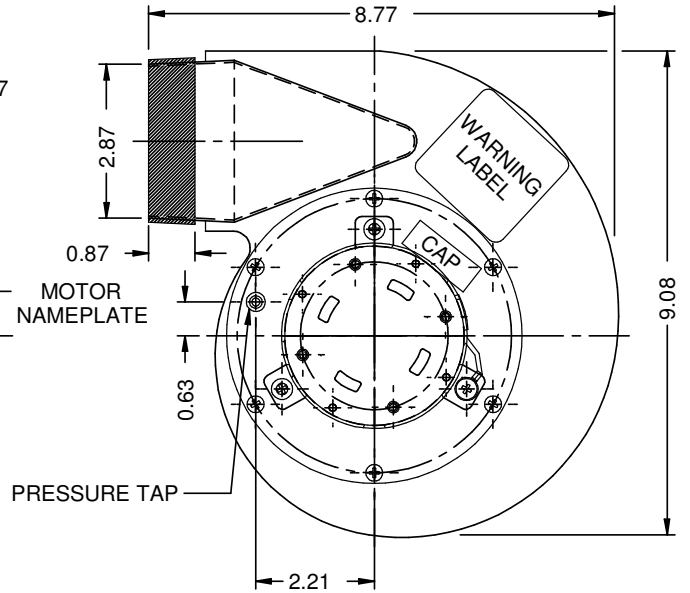
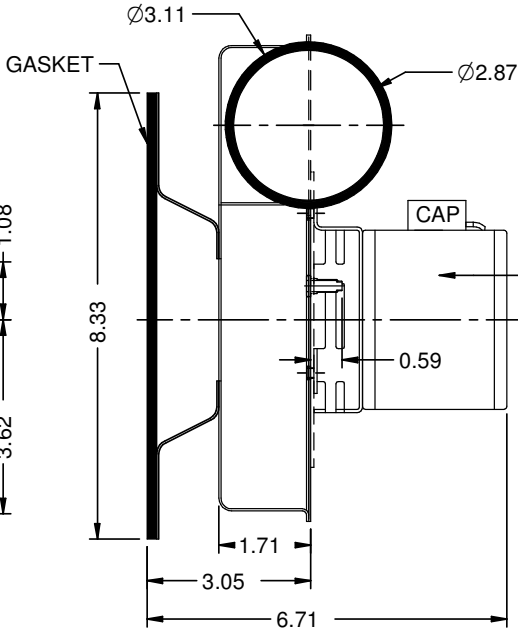
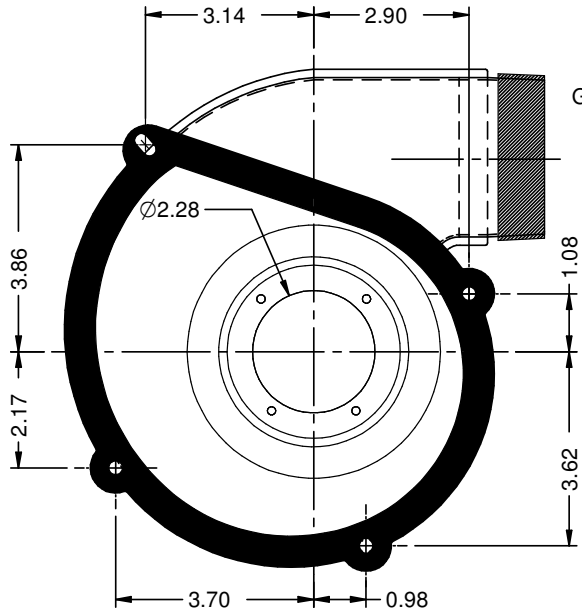
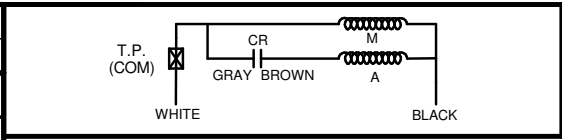


MODEL	HP	VOLTS	AMPS	ROTATION	DESCRIPTION/REMARKS
B188047580000B	1/50	115V	0.6A	CWSE	PALLET QTY 144

BLOWER SPECIFICATIONS			
CAT #	N781	ROTATION	CWSE
HP	1/50	BEARING TYPE	BALL BEARING
VOLTS	115V	MOTOR TYPE	PSC
HERTZ	60HZ	PROTECTOR	AUTO
SPEEDS	1	PHASE	SINGLE
AMPS	0.6A	INSULATION CLASS	B
RPM	3000	CFM	85.66@FREE AIR
CAPACITOR	3uF/250VAC		



NIDEC MOTOR CORPORATION 08-OCT-15

REVISION RECORD FOR: ECO: E24565	TOLERANCES ON DIMENSIONS (UNLESS OTHERWISE SPECIFIED)
CREATED DRAWING	
ISSUED BY: F. GARCIA	ENGINEER APPROVED: T. BOURQUIN

INCHES .XX = ± .010 .XXX = ± .005	mm
ANGLES X° = ± 1°	

NIDEC MOTOR CORPORATION			
INFORMATION DISCLOSED ON THIS DOCUMENT IS CONSIDERED PROPRIETARY AND SHALL NOT BE REPRODUCED OR DISCLOSED WITHOUT WRITTEN CONSENT OF NIDEC MOTOR CORPORATION			
TITLE			REVISION DATE:
CUSTOMER DETAIL DRAWING			08-OCT-15
CODE	ITEM NO.	REV	SHEET NUMBER
V02	807919	--	1 OF 2
			DWG SIZE
			B