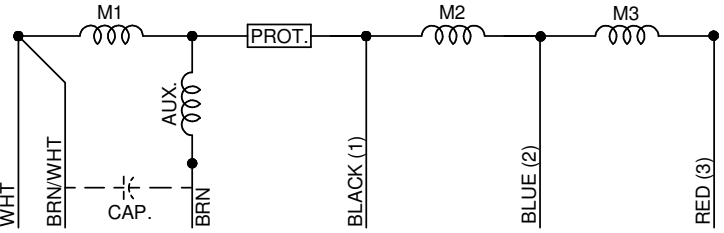
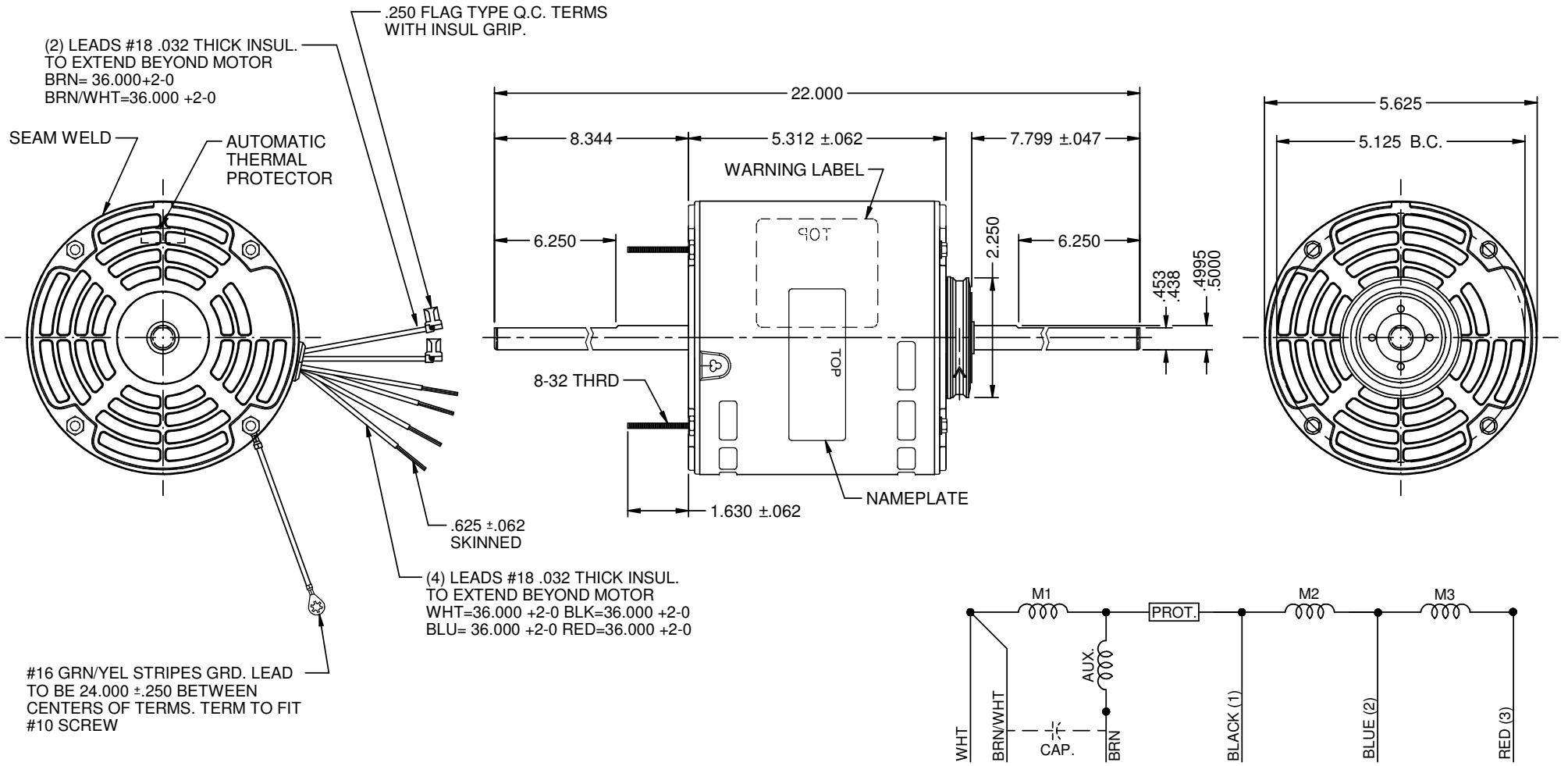


MODEL	REF	CUSTOMER	HP	VOLTS	AMPS	HZ	RPM	ROTATION	CUSTOMER PART	DESCRIPTION / REMARKS
K55HXRKU-2200	C41337-2	WHOLESALE HAC	3/4	208-230	4.8	60	1075/3 SPD	CCW LE	NA1076	



7.5 MFD 370 VAC CAPACITOR

REFER TO S.E.I.M. 24-1

NIDEC MOTOR CORPORATION 15-Dec-15

CREATED DRAWING.	REVISION RECORD FOR:	JC 70493
ISSUED BY:	ENGINEER APPROVED:	
B. ANDRADE	H. NAVARRO	

DIMENSIONS ARE FOR REFERENCE ONLY
UNLESS TOLERANCE IS SPECIFIED

NIDEC MOTOR CORPORATION			
INFORMATION DISCLOSED ON THIS DOCUMENT IS CONSIDERED PROPRIETARY AND SHALL NOT BE REPRODUCED OR DISCLOSED WITHOUT WRITTEN CONSENT OF NIDEC MOTOR CORPORATION			
TITLE		CODE	REVISION DATE:
CUSTOMER DETAIL DRAWING		V02	08-DEC-15
ITEM NO.	REV	SHEET NUMBER	DWG SIZE
808921	-	1 OF 3	B