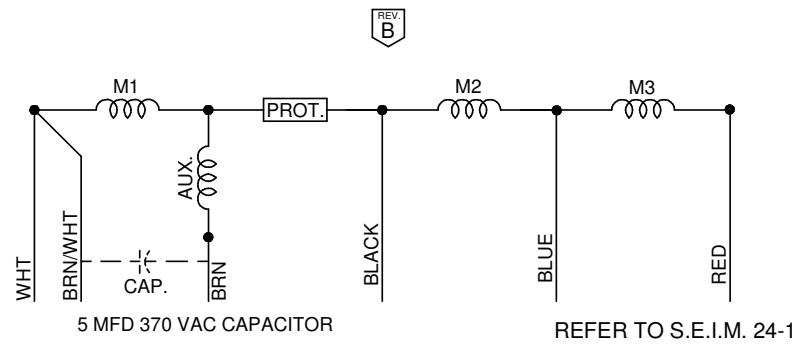
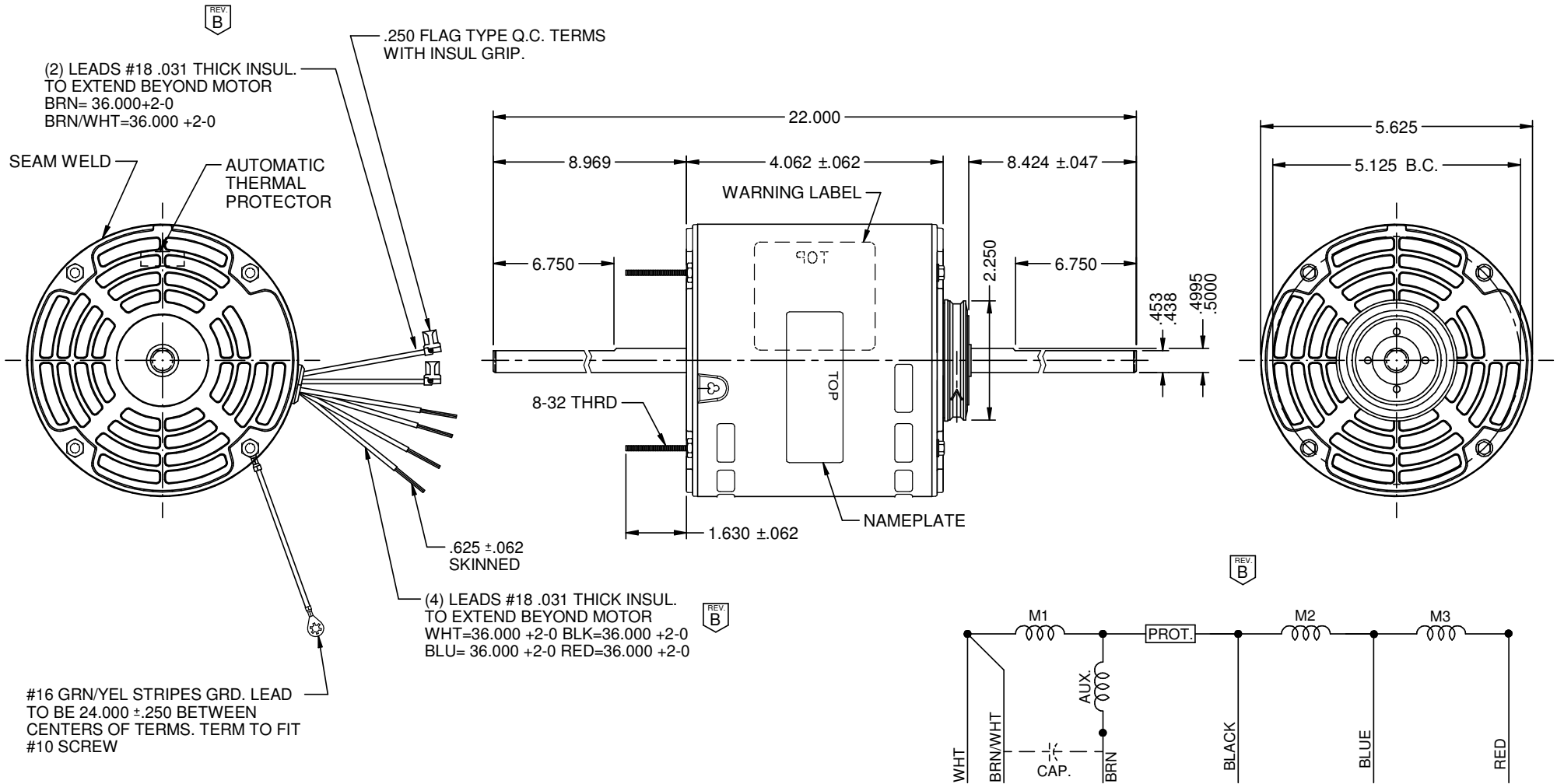


MODEL	REF	CUSTOMER	HP	VOLTS	AMPS	HZ	RPM	ROTATION	CUSTOMER PART	DESCRIPTION / REMARKS
K55HXRKV-2201	C41338-X3	WHOLESALE HAC	1/4	208-230	1.9	60	1075/3 SPD	CCW LE	NA1026	



NIDEC MOTOR CORPORATION 02-Mar-16

REVISION RECORD FOR:	ECO: E25075
UPDATE NOTES AND DIAGRAM	
ISSUED BY:	F. GARCIA
ENGINEER APPROVED:	H. NAVARRO

DIMENSIONS ARE FOR REFERENCE ONLY

UNLESS TOLERANCE IS SPECIFIED

<b>NIDEC MOTOR CORPORATION</b>			
INFORMATION DISCLOSED ON THIS DOCUMENT IS CONSIDERED PROPRIETARY AND SHALL NOT BE REPRODUCED OR DISCLOSED WITHOUT WRITTEN CONSENT OF NIDEC MOTOR CORPORATION			
TITLE		CODE	REVISION DATE:
CUSTOMER DETAIL DRAWING		V02	02-MAR-16
ITEM NO.	REV	SHEET NUMBER	DWG SIZE
808987	B	1 OF 3	B