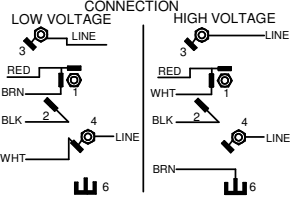
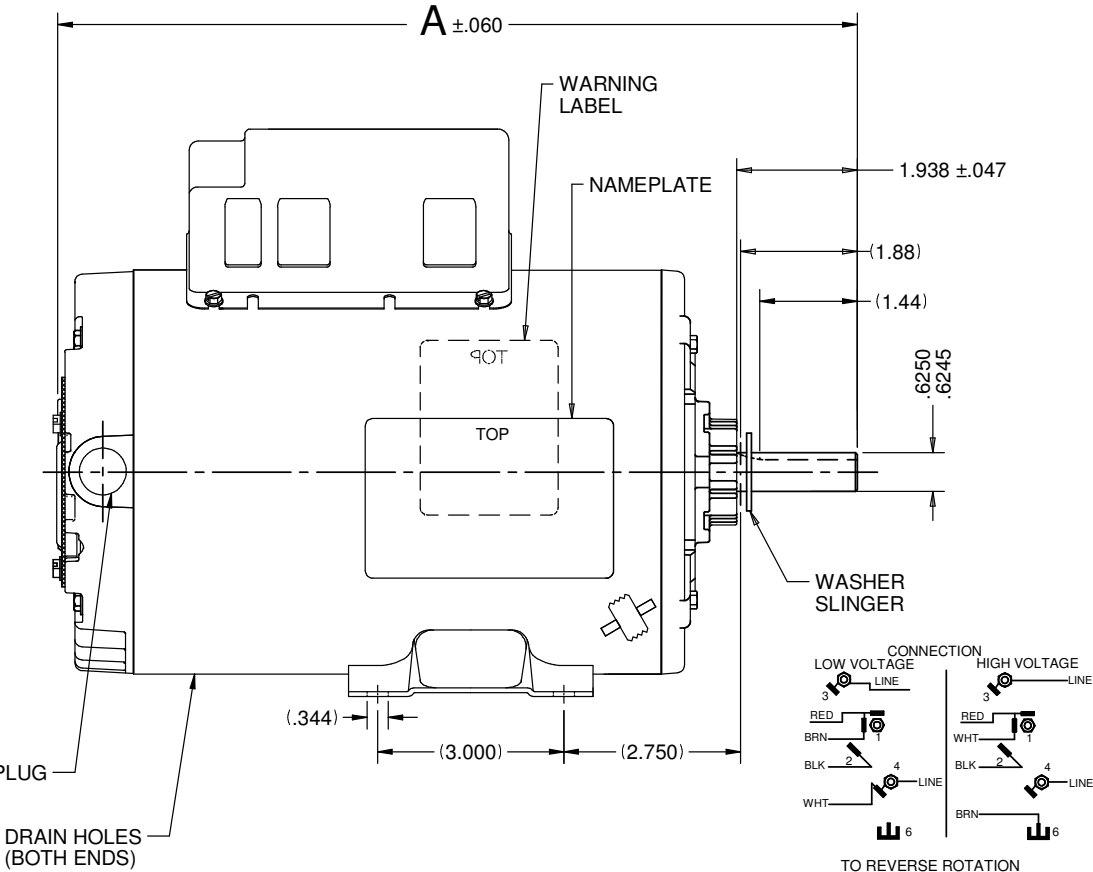
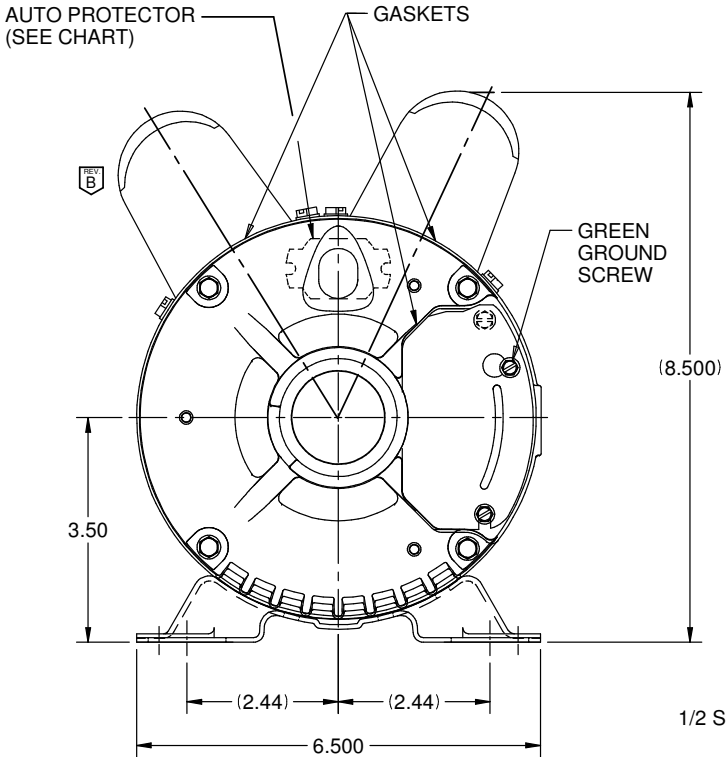


VAR	MODEL	CUSTOMER	CUST. P/N	A	B	C	D	HP	VOLTS	SF	AMPS	HZ	RPM	CONN VOLTS	PROT.	DESCRIPTION / REMARKS
001	T63KZCNB-2136	USEM	FD32CPA2P	12.873	-----	-----	-----	1.5	115/230	1.3	13.6/6.8	60	1725	230	AUTO	N56, TEAO

SHAFT KEY TAPED TO MOTOR



TO REVERSE ROTATION INTERCHANGE RED & BLK LEADS

REFER TO S.E.I.M. 24-1

ROTATION: C.W. LEAD END, REVERSIBLE

NIDEC MOTOR CORPORATION 22-Jul-17

REVISION RECORD FOR:	ECO E29206
CAP. COVER UPDATED TO C64314799 ON ENDSHIELD LEAD END VIEW.	
VAR. 002 REMOVED.	

TOLERANCES ON DIMENSIONS (UNLESS OTHERWISE SPECIFIED)

INCHES	mm
.XX = ±.010	
.XXX = ±.005	

ANGLES X° = ±1°

NIDEC MOTOR CORPORATION

INFORMATION DISCLOSED ON THIS DOCUMENT IS CONSIDERED PROPRIETARY AND SHALL NOT BE REPRODUCED OR DISCLOSED WITHOUT WRITTEN CONSENT OF NIDEC MOTOR CORPORATION

REVISION DATE: 21-JUL-17

ISSUED BY: E. REYES

ENGINEER APPROVED: M. SCHUETTE

TITLE: CUSTOMER DETAIL DRAWING

CODE: V02

ITEM NO.: 809484

REV: B

SHEET NUMBER: 1 OF 4

DWG SIZE: B