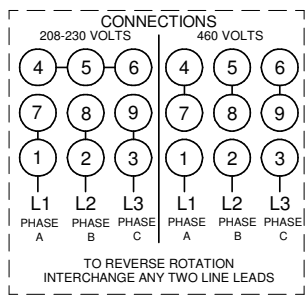
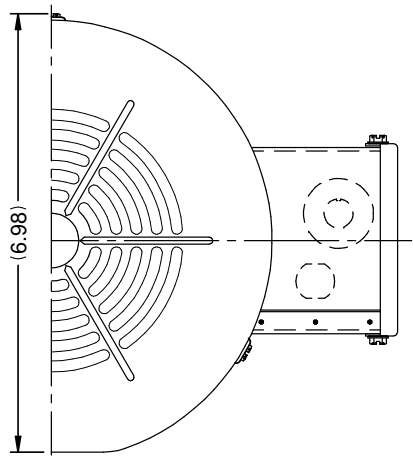
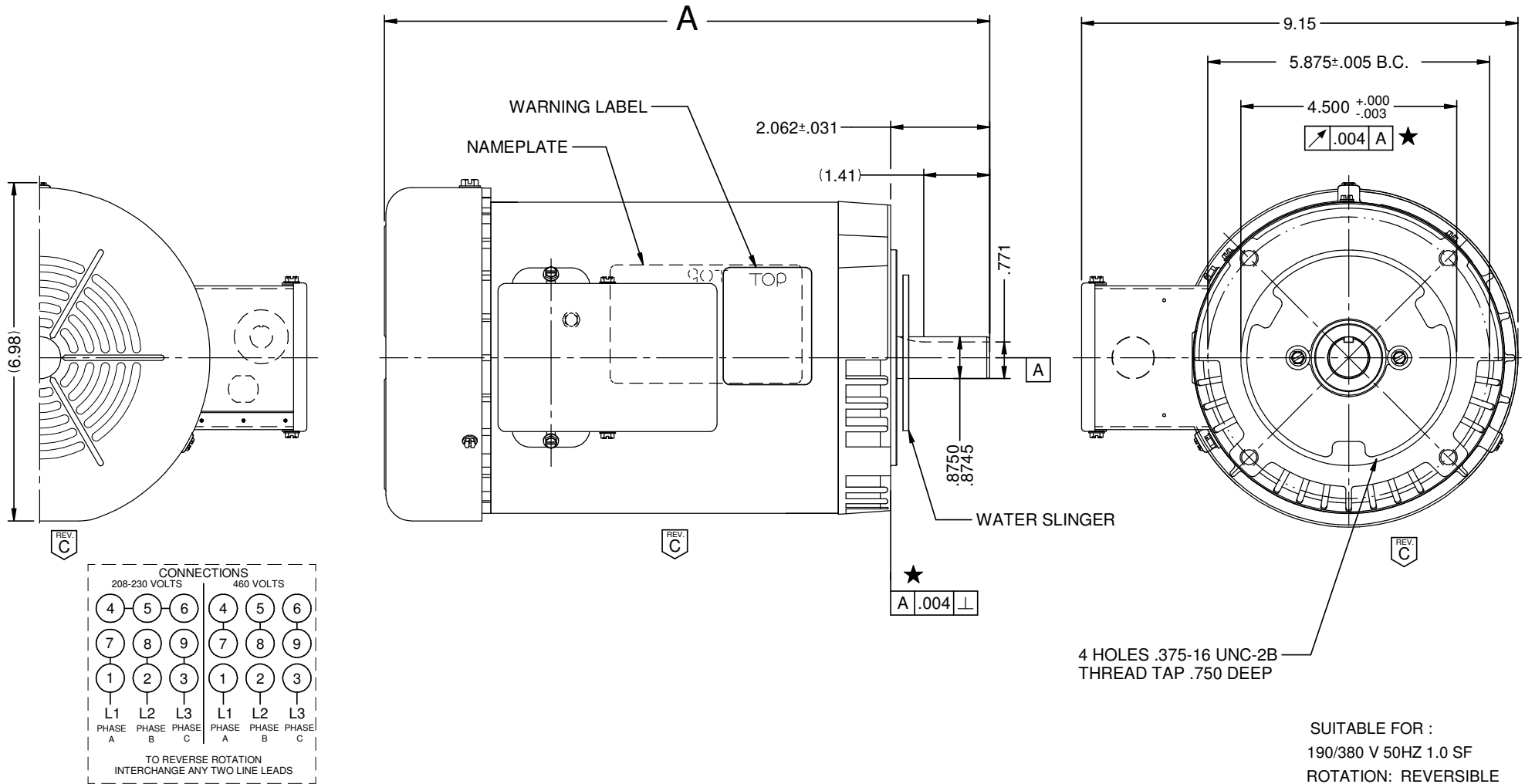


VAR	MODEL	CUSTOMER	A	B	PROTECTOR	BASE	HP	VOLTS	SF	AMPS	HZ	RPM	DESCRIPTION / REMARKS
001	P63GDP-1451	U3P1A14CR	13.939	-----	NONE	NONE	3.0	208-230/460	1.25	7.4-7.5/3.7	60	3450	N145TC TEFC



NIDEC MOTOR CORPORATION 27-Jun-17 REFER TO S.E.I.M. 24-1

REVISION RECORD FOR: ECO E28966		TOLERANCES ON DIMENSIONS (UNLESS OTHERWISE SPECIFIED)		NIDEC MOTOR CORPORATION INFORMATION DISCLOSED ON THIS DOCUMENT IS CONSIDERED PROPRIETARY AND SHALL NOT BE REPRODUCED OR DISCLOSED WITHOUT WRITTEN CONSENT OF NIDEC MOTOR CORPORATION			REVISION DATE: 27-JUN-17	
REMOVED THE BASE FROM ALL 4 PAGES.		INCHES .XX = ±.010 .XXX = ±.005					TITLE: CUSTOMER DETAIL DRAWING	
ISSUED BY: G. MEDINA	ENGINEER APPROVED: M. SCHUETTE	ANGLES X° = ±1°		CODE: V02	ITEM NO.: 809780	DWG SIZE: B		

V02_NMCB (MAR-2014)

SOLIDEDGE