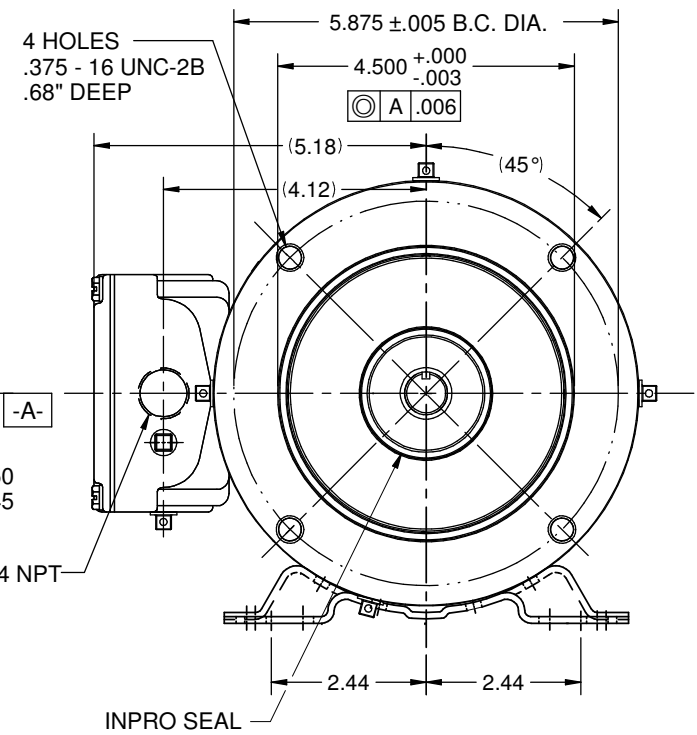
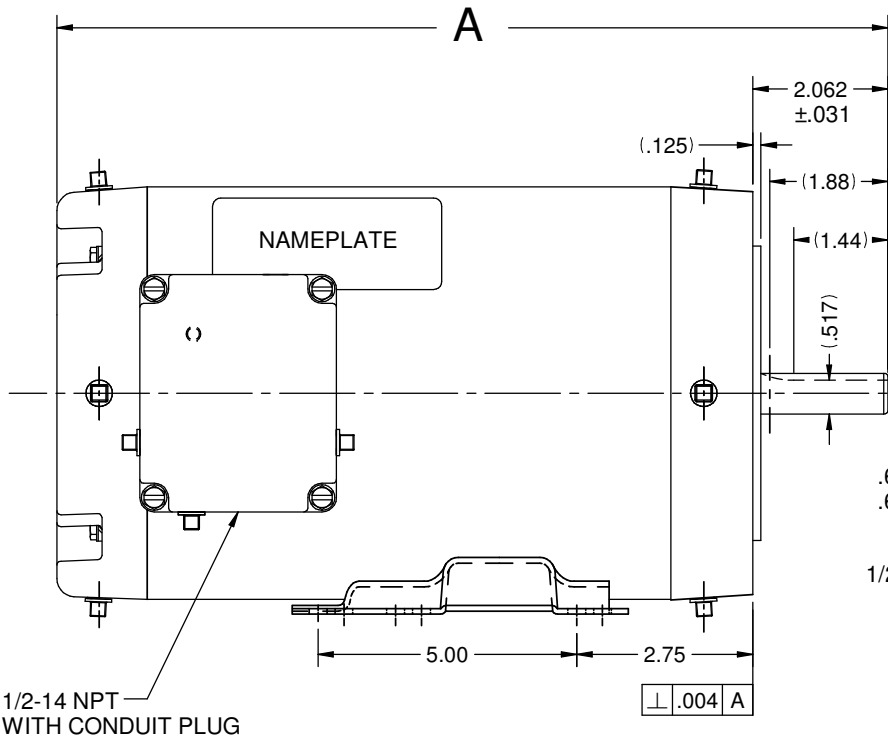
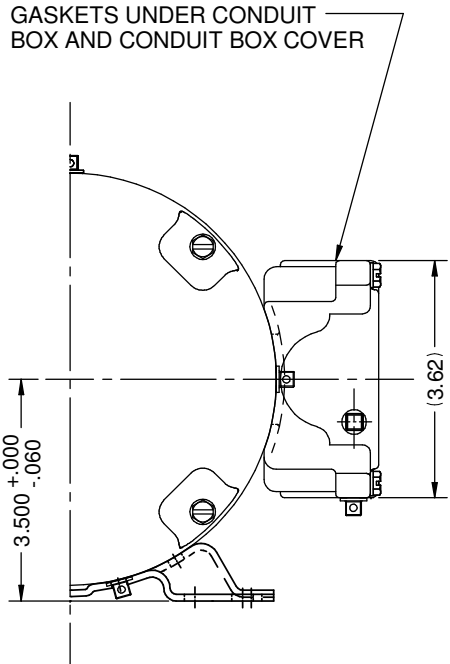


VAR	MODEL	CUSTOMER	CATALOG NO.	A	B	C	D	HP	VOLTS	SF	AMPS	HZ	RPM	PROTECTOR	BASE REQUIREMENT	DESCRIPTION / REMARKS
001	P63TLE-1463	USEM	WDP1P2AHC	14.25	-----	-----	-----	1.0	208-230/460&190/380	1.15	3.5-3.4/1.7	60&50	1725&1425	NONE	56H	N56HC, TENV, STAINLESS STEEL SHELL



**CONNECTIONS**

LO VOLTS	HI VOLTS
④—⑤—⑥	④ ⑤ ⑥
⑦ ⑧ ⑨	⑦ ⑧ ⑨
① ② ③	① ② ③
L1 L2 L3	L1 L2 L3

- NOTES:**
- (11) 1/4-18 PLASTIC DRAIN PLUGS; (4) IN C-FACE (4) IN OPPOSITE SHAFT END ENDSHIELD AND (3) IN CONDUIT BOX.
  - 303 STAINLESS STEEL SHAFT KEY SHIPPED WITH MOTOR.

TO REVERSE ROTATION INTERCHANGE ANY TWO LINE LEADS.



REFER TO S.E.I.M. 24-1

NIDEC MOTOR CORPORATION 27-Apr-16

REVISION RECORD FOR: ECO-E25656	
UPDATED NO. V02810179	
ISSUED BY: C.ALMAGUER	ENGINEER APPROVED: J.SALAZAR

DIMENSIONS ARE FOR REFERENCE ONLY  
UNLESS TOLERANCE IS SPECIFIED

<b>NIDEC MOTOR CORPORATION</b>			
INFORMATION DISCLOSED ON THIS DOCUMENT IS CONSIDERED PROPRIETARY AND SHALL NOT BE REPRODUCED OR DISCLOSED WITHOUT WRITTEN CONSENT OF NIDEC MOTOR CORPORATION			
TITLE		CODE	ITEM NO.
CUSTOMER DETAIL DRAWING		V02	810179
REVISION DATE:		REV	SHEET NUMBER
27-APR-16		A	1 OF 5
		DWG SIZE	B