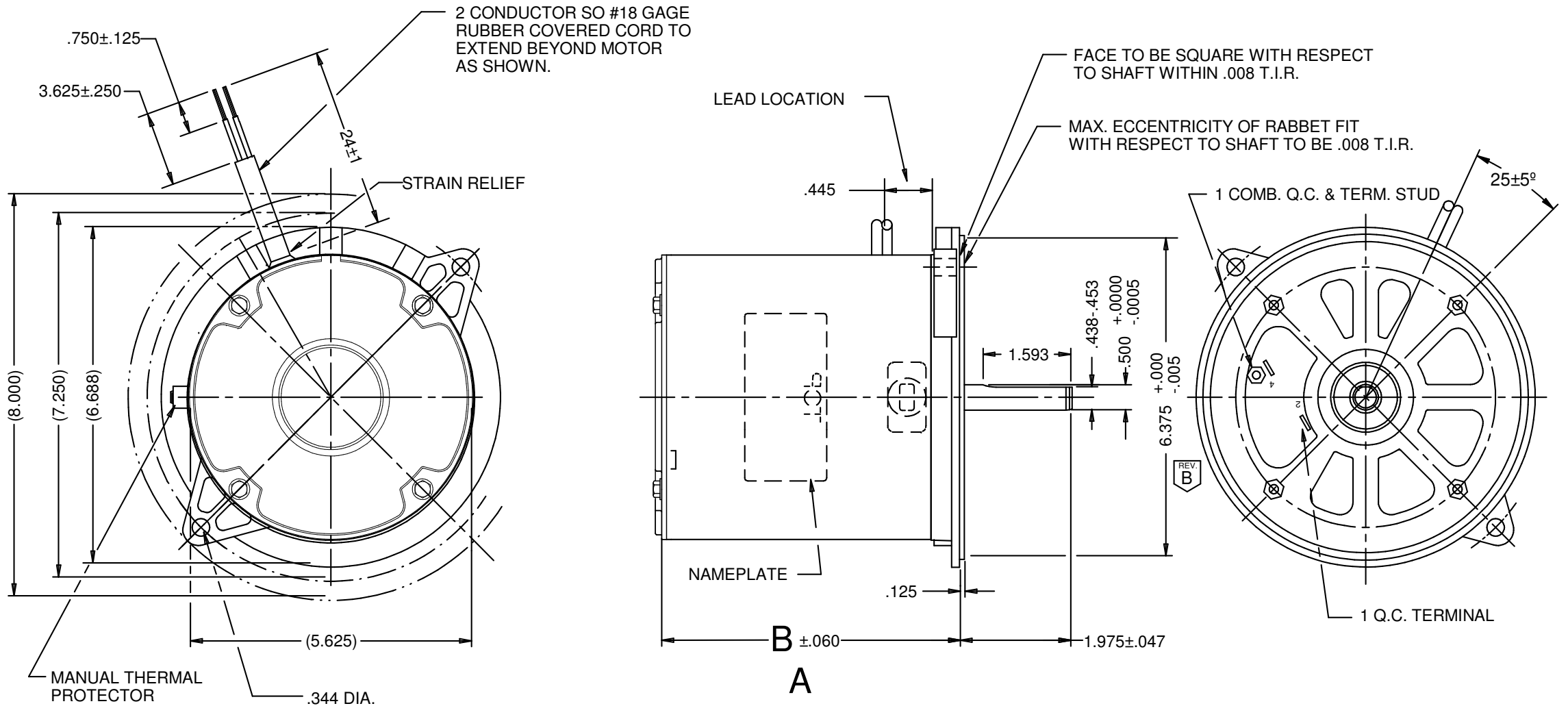


VAR	MODEL	CUSTOMER	CAT. NO.	A	B	C	D	HP	VOLTS	SF	AMPS	HZ	RPM	DESCRIPTION / REMARKS
001	SD55KXSAP-2941	STANDARD	2097	7.818	5.843	--	--	1/8	115	--	2.7	60	3450	N48



NIDEC MOTOR CORPORATION 12-May-17

REFER TO S.E.I.M. 24-1

REVISION RECORD FOR: ECO: E28660  
 WAS CHANGED DIMENSION TO 6.375.

TOLERANCES ON DIMENSIONS  
 (UNLESS OTHERWISE SPECIFIED)

INCHES  
 .XX = ±.010  
 .XXX = ±.005

mm

ANGLES X°= ±1°

**NIDEC MOTOR CORPORATION**

INFORMATION DISCLOSED ON THIS DOCUMENT IS CONSIDERED PROPRIETARY AND SHALL NOT BE REPRODUCED OR DISCLOSED WITHOUT WRITTEN CONSENT OF NIDEC MOTOR CORPORATION

REVISION DATE: 12-MAY-17

ISSUED BY: G. ISASSI  
 ENGINEER APPROVED: L. BACHMAN

TITLE	CODE	ITEM NO.	REV	SHEET NUMBER	DWG SIZE
CUSTOMER DETAIL DRAWING	V02	810224	B	1 OF 4	B