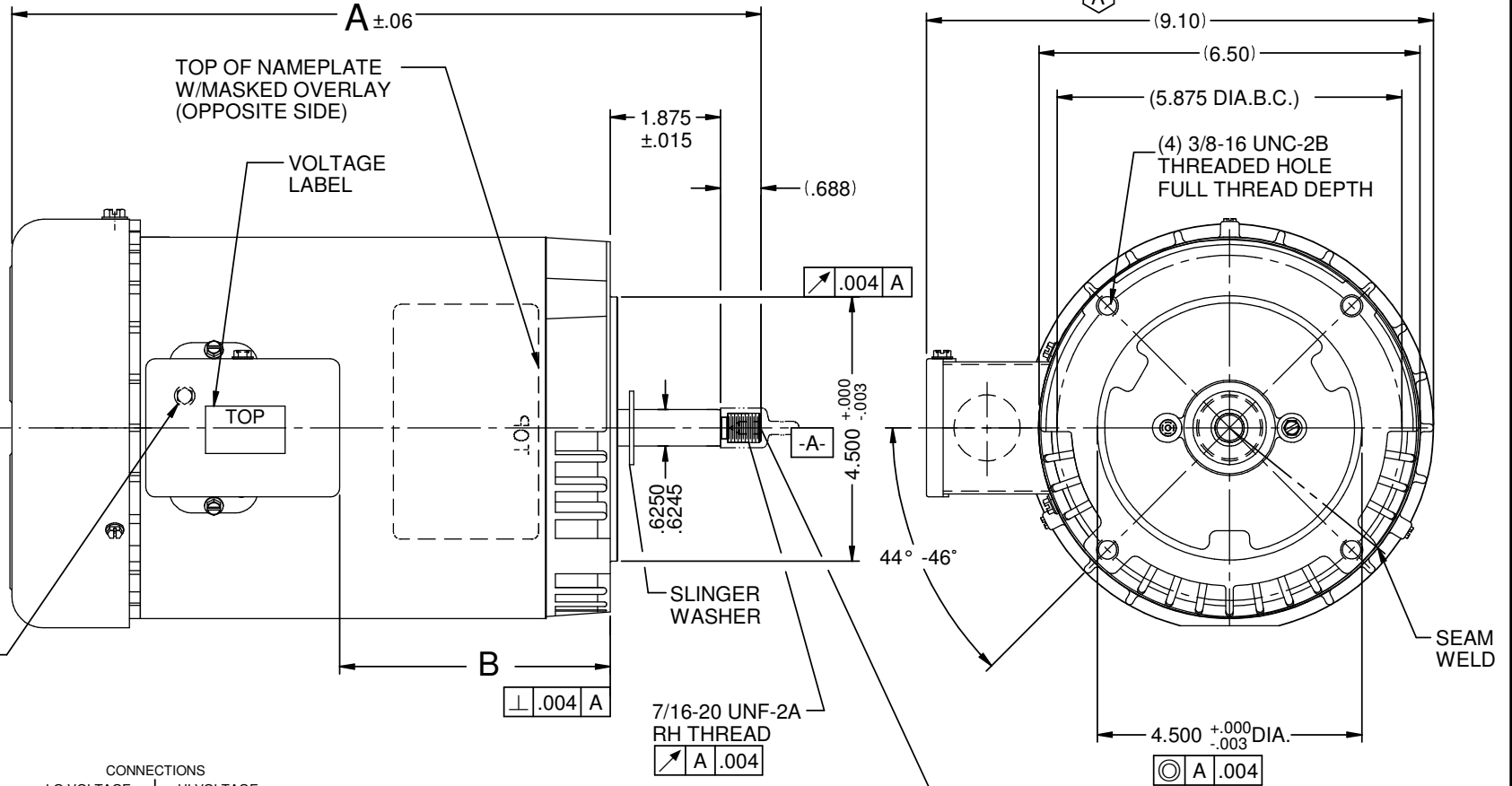
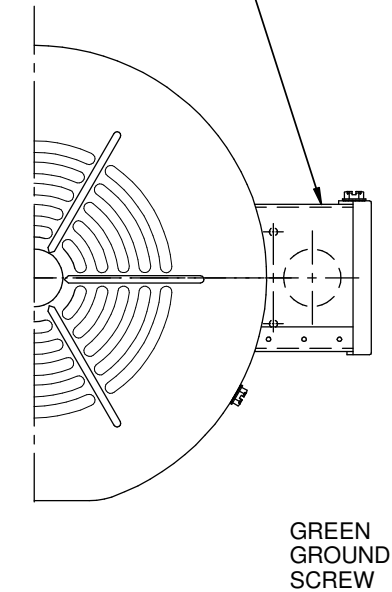


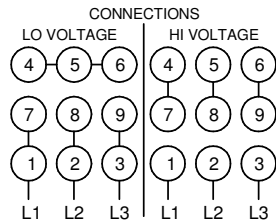
VAR	MODEL	CUSTOMER	CATALOG NO.	A	B	HP	VOLTS	SF	SF AMPS	HZ	RPM	50 HZ VOLTS	50 HZ AMPS	PROTECTOR	INTERNAL THREADS	DESCRIPTION / REMARKS
001	P63AMD-1418	COMMERCIAL PUMPS	EE661	12.88	3.41	1 1/2	208-230/460	1.30/1.00	4.9-4.6/2.4	60/50	3450/2850	190/380-415	4.7/2.4-2.3	NONE	YES	56J, TEFC
002	P63AND-1442	COMMERCIAL PUMPS	EE707	14.38	4.91	3.0	208-230/460	1.15/1.00	9.1-8.2/4.2	60/50	3450/2850	190/380-415	8.7/4.4-4.1	NONE	NO	56J, TEFC
003	P63AME-1419	COMMERCIAL PUMPS	EE706	13.38	3.91	2.0	208-230/460	1.25/1.00	6.6-6.1/3.1	60/50	3450/2850	190/380-415	5.9/3.0-2.9	NONE	YES	56J, TEFC

ALL LEADS TO EXIT INTO CONDUIT BOX AND EXTEND BEYOND THE SHELL 5.000" ±1.000" TO BE STRIPPED .750"



NOTES:

- 1.) SHAFT EXTENSION TO BE 303 STAINLESS STEEL.
- 2.) SHAFT EXTENSION TO BE CLEAN AND FREE OF CONTAMINANTS.
- 3.) BEARINGS: BALL
- 4.) ROTATION: CCW SHAFT END
- 5.) FACTORY WIRED FOR LOW VOLTAGE.



TO REVERSE ROTATION, INTERCHANGE ANY TWO LINE LEADS.
 WITH ABC PHASE SEQUENCE
 PHASE A - LINE 1
 PHASE B - LINE 2
 PHASE C - LINE 3
 ROTATION: CW LEAD END

NIDEC MOTOR CORPORATION 10-Apr-17

REFER TO S.E.I.M. 24-1

REVISION RECORD FOR: ECO E28431			TOLERANCES ON DIMENSIONS (UNLESS OTHERWISE SPECIFIED)		NIDEC MOTOR CORPORATION				
ADDED COLUMN TO CHART TO SHOW WHICH MODEL VARIATION HAS INTERNAL THREADS AND UPDATED NOTE FOR "SEE CHART" ON PAGES 1 & 2.			INCHES XX = ±.010 .XXX = ±.005		INFORMATION DISCLOSED ON THIS DOCUMENT IS CONSIDERED PROPRIETARY AND SHALL NOT BE REPRODUCED OR DISCLOSED WITHOUT WRITTEN CONSENT OF NIDEC MOTOR CORPORATION				
ISSUED BY: G. MEDINA			ENGINEER APPROVED: S. SCHINZING		TITLE: CUSTOMER DETAIL DRAWING		CODE: V02	ITEM NO.: 810769	REVISION DATE: 10-APR-17
			ANGLES X° = ±1°				REV: A	SHEET NUMBER: 1 OF 6	DWG SIZE: B