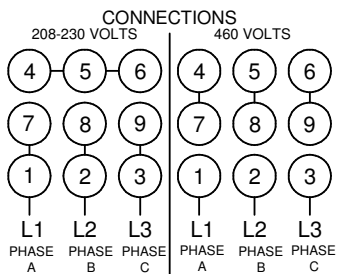
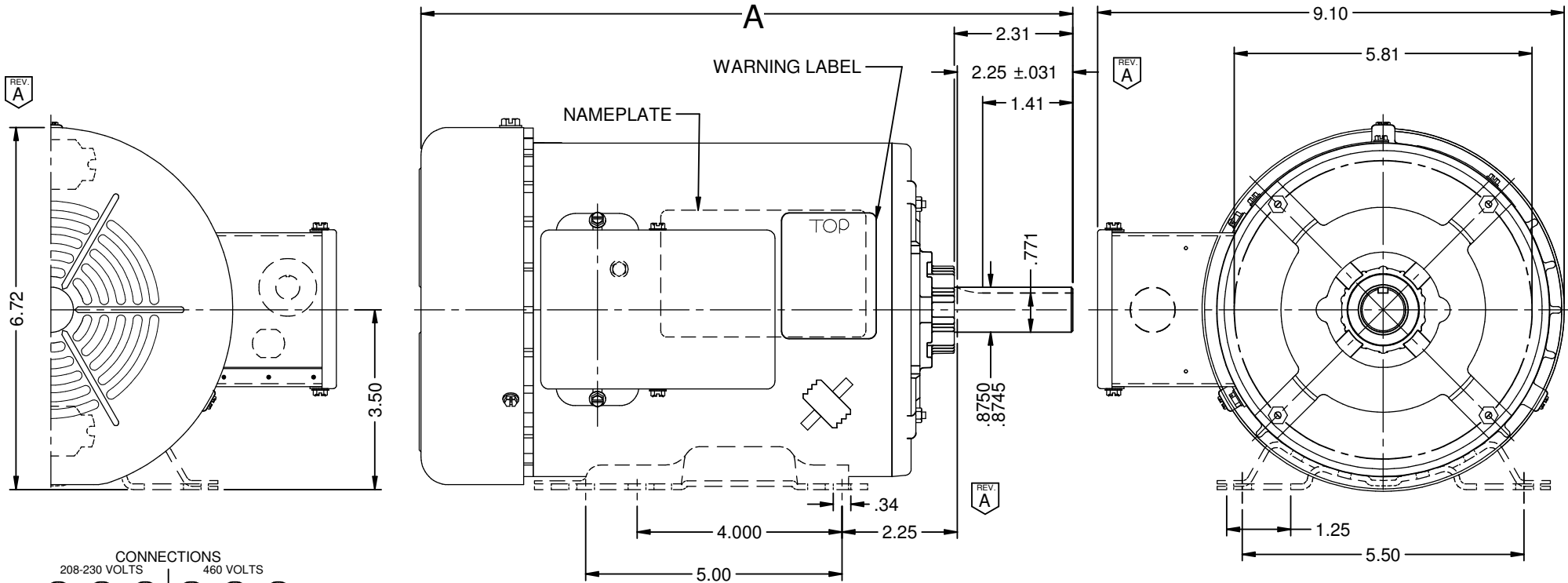


VAR	MODEL	CUSTOMER	CATALOG NO.	A	B	C	PROTECTOR	BASE REQUIREMENT	HP	VOLTS	SF	AMPS	HZ	RPM	CONN VOLTS	DESCRIPTION / REMARKS
001	P63GDS-1500	USEM	U3P1AHZ	13.75	-----	-----	NONE	56H	3.0	208-230/460	1.25	7.9-6.7/3.4	60	3450	460	TEFC
002	P63GJK-1505	USEM	T1P2AHZ	13.25	-----	-----	NONE	56H	1.0	208-230/460	1.25	3.3-3.2/1.5	60	1725	460	TEFC, N56HZ

REV. A

REV. A



SUITABLE FOR:
190/380 V 50HZ 1.0 SF
ROTATION: REVERSIBLE
REFER TO S.E.I.M. 24-1

NIDEC MOTOR CORPORATION 20-Jul-16

REVISION RECORD FOR: E26378		TOLERANCES ON DIMENSIONS (UNLESS OTHERWISE SPECIFIED)		NIDEC MOTOR CORPORATION			
ADDED VAR. 002		INCHES .XX = ±.010 .XXX = ±.005		INFORMATION DISCLOSED ON THIS DOCUMENT IS CONSIDERED PROPRIETARY AND SHALL NOT BE REPRODUCED OR DISCLOSED WITHOUT WRITTEN CONSENT OF NIDEC MOTOR CORPORATION			
ADDED DIMENSION AND TOLERANCE.		mm		TITLE		CODE	ITEM NO.
ADDED SHAFT KEY VIEW.		ANGLES X° = ±1°		CUSTOMER DETAIL DRAWING		V02	811421
ISSUED BY: B. ANDRADE	ENGINEER APPROVED: T. BOSSALLER					REV. A	SHEET NUMBER 1 OF 4
						REVISION DATE: 20-JUL-16	
						DWG SIZE B	