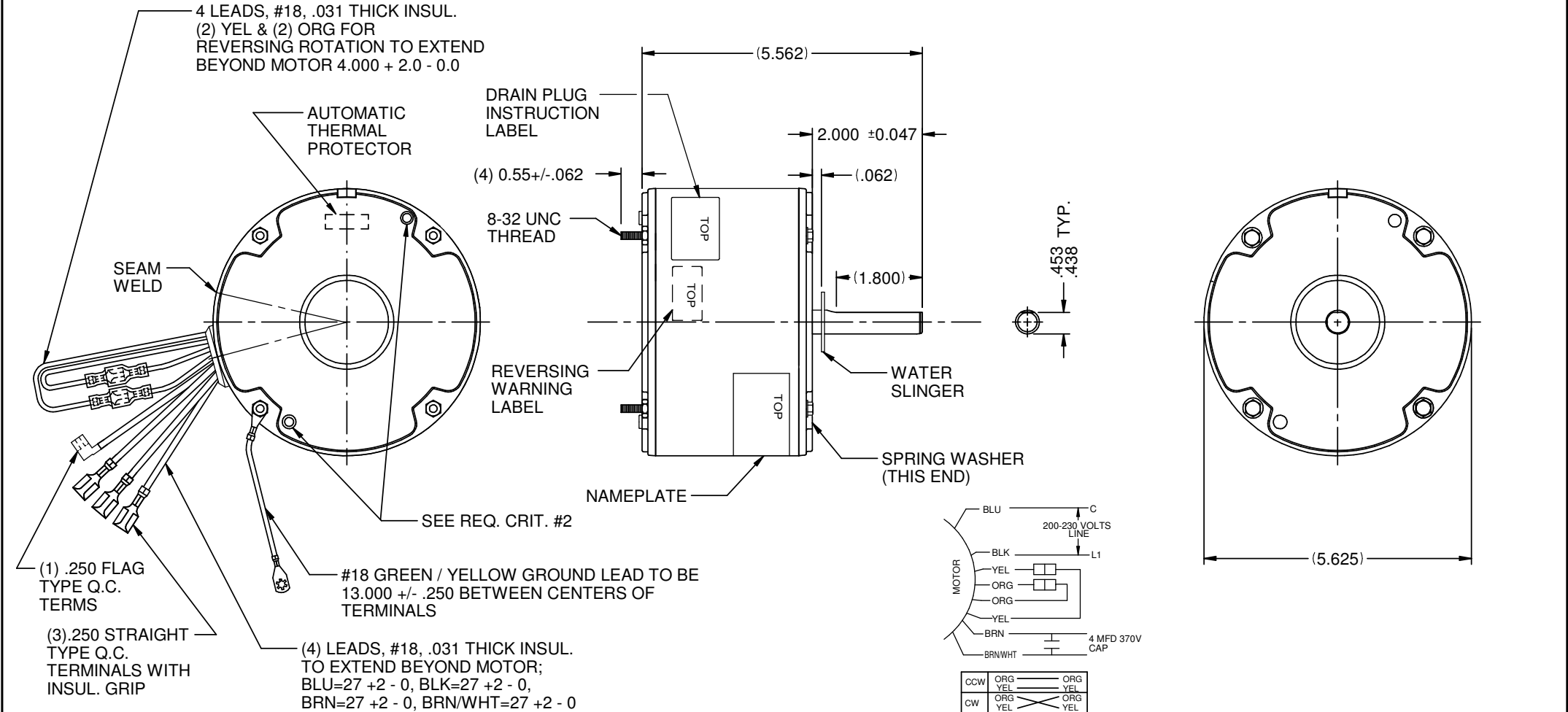


MODEL	REF	CUSTOMER	HP	VOLTS	AMPS	HZ	RPM	ROTATION	CATALOG #	DESCRIPCION / REMARKS
K55HXLLP-2461	----	WHOLESALE HAC	1/8	200-230	0.8	60	1650	CCW LEAD END REV	4895	



NIDEC MOTOR CORPORATION 07-Sep-16

REFER TO S.E.I.M. 24-1

REVISION RECORD FOR: ECO E26736	
I CHANGED THE NOTE OF THE STRAIGHT TERMINALS ON PAGE 2.	
I ADDED THE CONNECTION DIAGRAM ON PAGE 3.	
ISSUED BY:	ENGINEER APPROVED:
G. MEDINA	A. LOZANO

DIMENSIONS ARE FOR REFERENCE ONLY

UNLESS TOLERANCE IS SPECIFIED

NIDEC MOTOR CORPORATION			
INFORMATION DISCLOSED ON THIS DOCUMENT IS CONSIDERED PROPRIETARY AND SHALL NOT BE REPRODUCED OR DISCLOSED WITHOUT WRITTEN CONSENT OF NIDEC MOTOR CORPORATION			
TITLE		REVISION DATE:	
CUSTOMER DETAIL DRAWING		07-SEP-16	
CODE	ITEM NO.	REV	SHEET NUMBER
V02	812126	A	1 OF 3
			DWG SIZE
			B