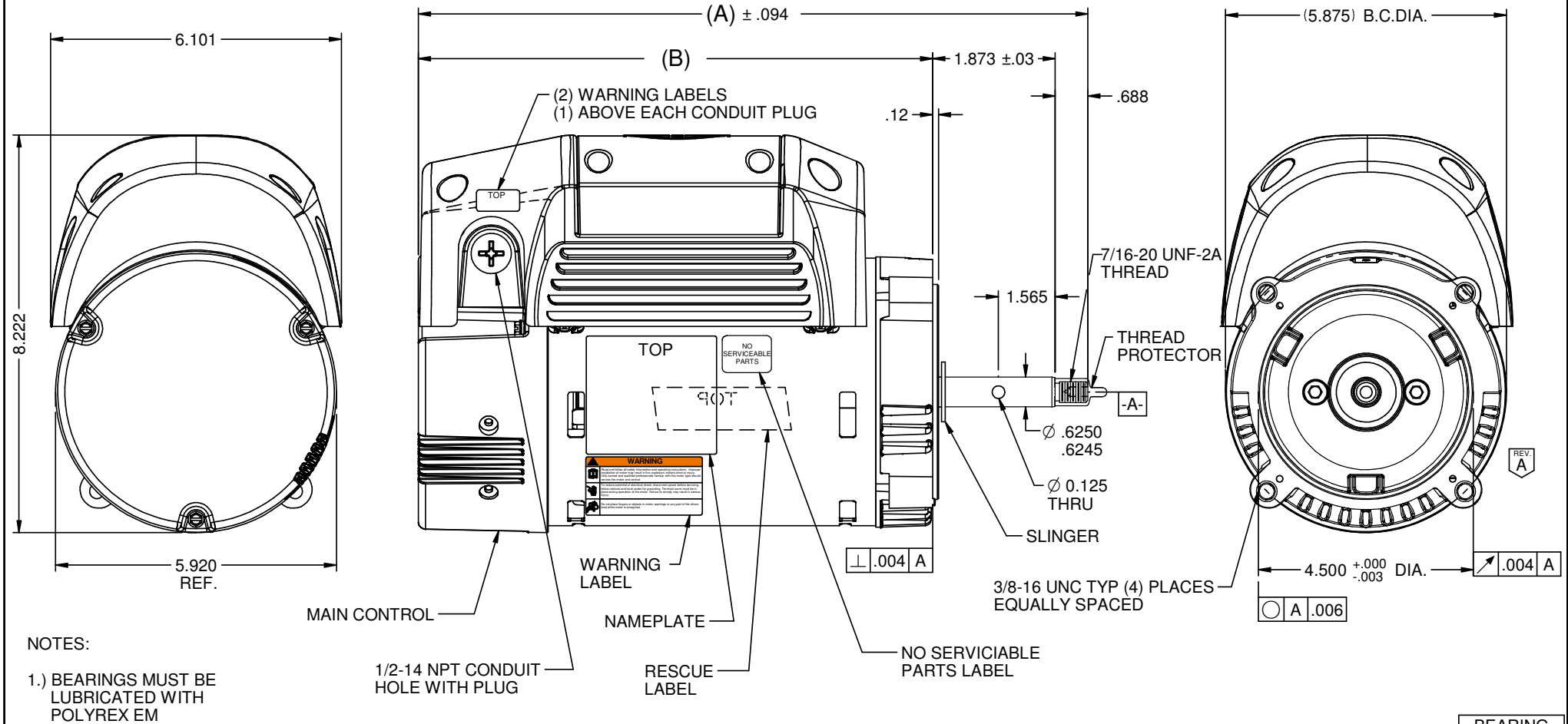


VAR	MODEL	CUSTOMER	CATALOG NO.	A	B	HP	VOLTS	SF	AMPS	HZ	RPM	CONN VOLTS	PROT.	DESCRIPTION / REMARKS
001	M055PWFMP-1646	WHOLESALE - HAC	EC8370	13.331	10.770	3/4 - 1	208 - 230	1.0	6.8-6.4 & 6.9-6.5	60&50	1800/VAR SPD	208 - 230	ELECTRONIC	CCW SHAFT END
002	M055PWFMB-2642	WHOLESALE - HAC	EC8360	13.331	10.770	3/4	115	1.0	8.2-9.1	60&50	1800/VAR SPD	120	ELECTRONIC	CCW SHAFT END
003	M055PWFNK-1664	WHOLESALE - HAC	EC8350	13.331	10.770	1/4 - 1/2	208 - 230	1.0	3.4-3.2 & 3.5-3.3	60&50	1800/VAR SPD	208 - 230	ELECTRONIC	CCW SHAFT END
004	M055PWFPJ-1685	WHOLESALE - HAC	EC8340	13.331	10.770	1/4 - 1/2	115	1.0	6.1-6.5	60&50	1800/VAR SPD	120	ELECTRONIC	CCW SHAFT END



NOTES:
1.) BEARINGS MUST BE LUBRICATED WITH POLYREX EM

NIDEC MOTOR CORPORATION 15-Dec-18

REFER TO S.E.I.M. 24-1

BEARING
BALL - BALL

REVISION RECORD FOR:		ECO E31451
IT WAS REMOVED SLOT IN SCREW OF ENDSHIELD SHAFT END		
ISSUED BY:	ENGINEER APPROVED:	
C.ALMAGUER	J.SALINAS	

TOLERANCES ON DIMENSIONS (UNLESS OTHERWISE SPECIFIED)	
INCHES .XX = ± .010 .XXX = ± .005	mm
ANGLES X° = ±1°	

NIDEC MOTOR CORPORATION			
INFORMATION DISCLOSED ON THIS DOCUMENT IS CONSIDERED PROPRIETARY AND SHALL NOT BE REPRODUCED OR DISCLOSED WITHOUT WRITTEN CONSENT OF NIDEC MOTOR CORPORATION			
TITLE		CODE	REVISION DATE:
CUSTOMER DETAIL DRAWING	V02	813114	15-DEC-18
ITEM NO.	REV	SHEET NUMBER	DWG SIZE
813114	A	1 OF 4	B