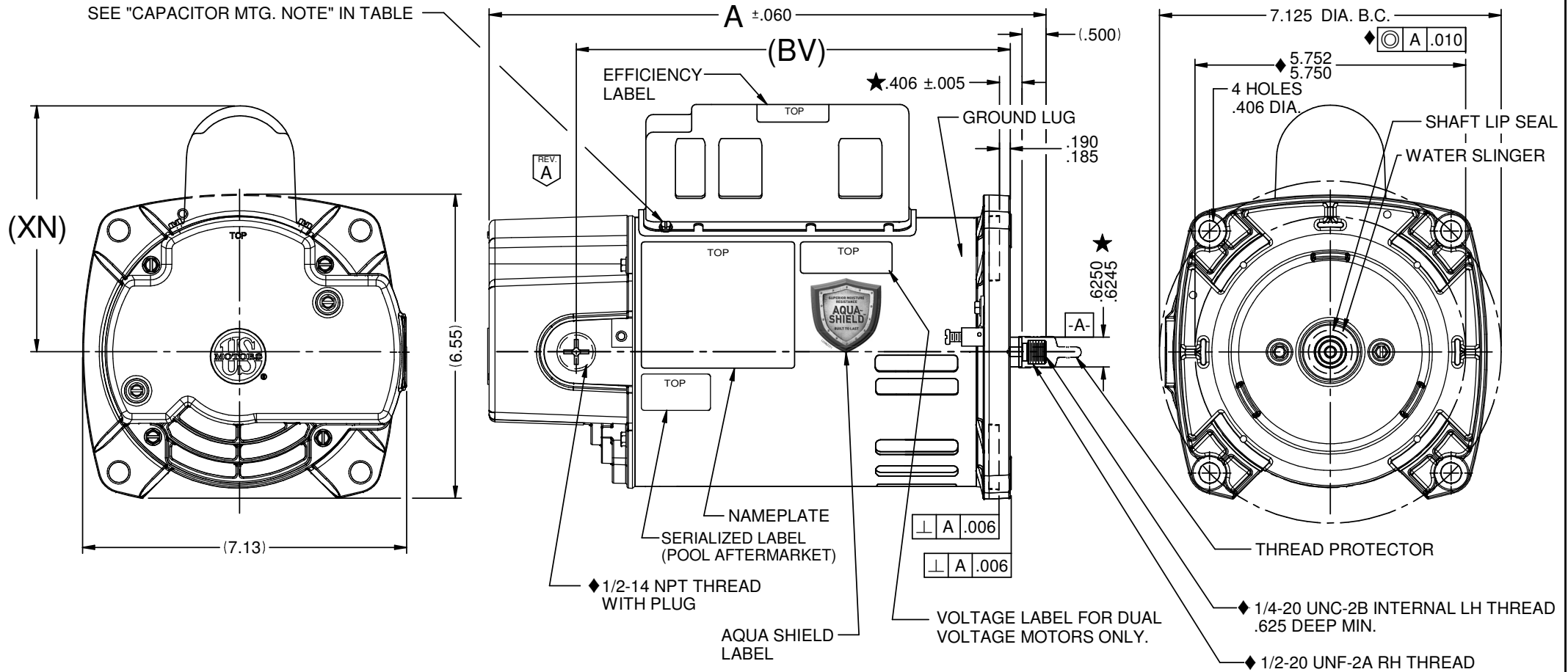


VAR	MODEL	CUSTOMER	CAT. NO.	A	BV	XN	THP	VOLTS	AMPS	HZ	RPM	CAPACITOR MTG. NOTE
001	T55CXCTK-1584	POOL AFTERMARKET	ASQ225	14.02	11.45	5.01	2.25	230/115	9.5/19.0	60	3450	2 CAPACITOR COVER MTG. SCREWS - SIDE MOUNT
002	T55CXCTJ-1583	POOL AFTERMARKET	ASQ225H	14.02	11.45	5.01	2.25	230	9.5	60	3450	2 CAPACITOR COVER MTG. SCREWS - SIDE MOUNT
003	T55MWCTH-1582	POOL AFTERMARKET	ASQ260	14.02	11.45	5.01	2.60	230	11.0	60	3450	2 CAPACITOR COVER MTG. SCREWS - SIDE MOUNT



NOTES

- 1.) MOTOR TO BE SHIPPED CONNECTED FOR 230 VOLTS
- 2.) SHAFT EXTENSION TO BE 300 SERIES STAINLESS STEEL

NIDEC MOTOR CORPORATION 19-Jan-17

ROTATION: CCW DRIVE END

REFER TO S.E.I.M. 24-1

REVISION RECORD FOR:		TOLERANCES ON DIMENSIONS		NIDEC MOTOR CORPORATION			REVISION DATE:		
ECO: E27719		(UNLESS OTHERWISE SPECIFIED)		INFORMATION DISCLOSED ON THIS DOCUMENT IS CONSIDERED PROPRIETARY AND SHALL NOT BE REPRODUCED OR DISCLOSED WITHOUT WRITTEN CONSENT OF NIDEC MOTOR CORPORATION			19-JAN-17		
IT WAS CHANGED OF POSITION THE SCREW IN THE CAPACITOR.		INCHES XX = ± .010 XXX = ± .005		mm		TITLE		SHEET NUMBER	
ISSUED BY: F. GARCIA		mm		CUSTOMER DETAIL DRAWING		CODE		DWG SIZE	
ENGINEER APPROVED: S. SCHINZING		ANGLES X° = ±1°		V02		ITEM NO.		REV	
				813137		1 OF 4		A	
								B	