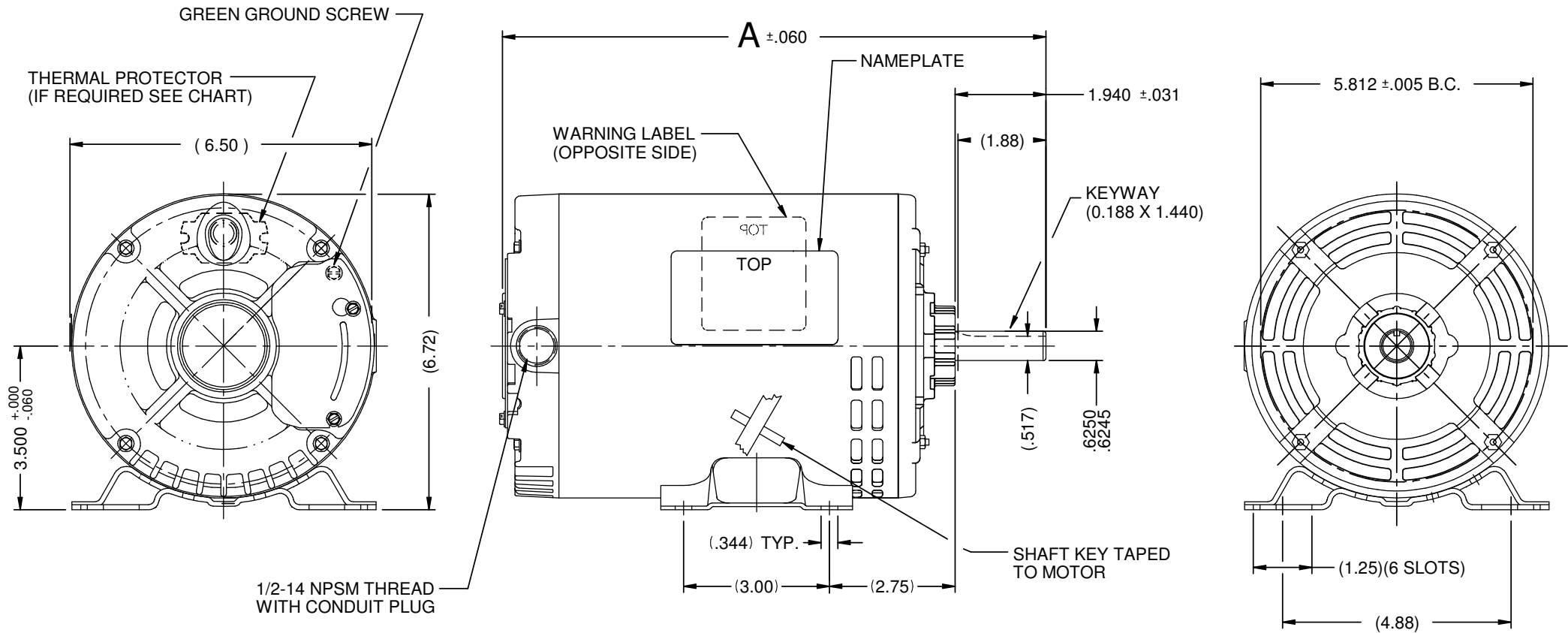


VAR	MODEL	CUSTOMER	CAT. NO.	A	B	C	D	HP	VOLTS	SF	AMPS	HZ	RPM	CONN VOLTS	PROT.	DESCRIPTION / REMARKS
001	P63GDE-1574	USEM	D14P3A	11.88	-----	-----	-----	1/4	208-230/460	1.35	1.4-1.4/0.7	60	1140	--	NONE	N56, ODP



NIDEC MOTOR CORPORATION 10-Apr-17

REFER TO S.E.I.M. 24-1

CREATED DRAWING.		REVISION RECORD FOR: JC 71594		TOLERANCES ON DIMENSIONS (UNLESS OTHERWISE SPECIFIED)		NIDEC MOTOR CORPORATION					
ISSUED BY: G. MEDINA		ENGINEER APPROVED: T. BOSSALLER		INCHES XX = ± .010 .XXX = ± .005		mm		INFORMATION DISCLOSED ON THIS DOCUMENT IS CONSIDERED PROPRIETARY AND SHALL NOT BE REPRODUCED OR DISCLOSED WITHOUT WRITTEN CONSENT OF NIDEC MOTOR CORPORATION		REVISION DATE: 10-APR-17	
CUSTOMER DETAIL DRAWING		V02		815253		TITLE		CODE		ITEM NO.	
V02_NMCB (MAR-2014)		ANGLES X° = ±1°		-		1 OF 4		DWG SIZE B		SHEET NUMBER	