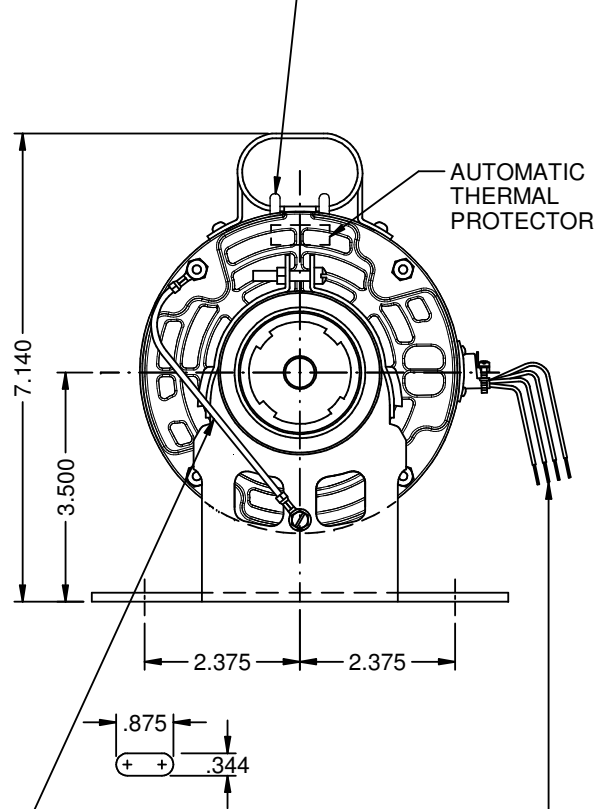


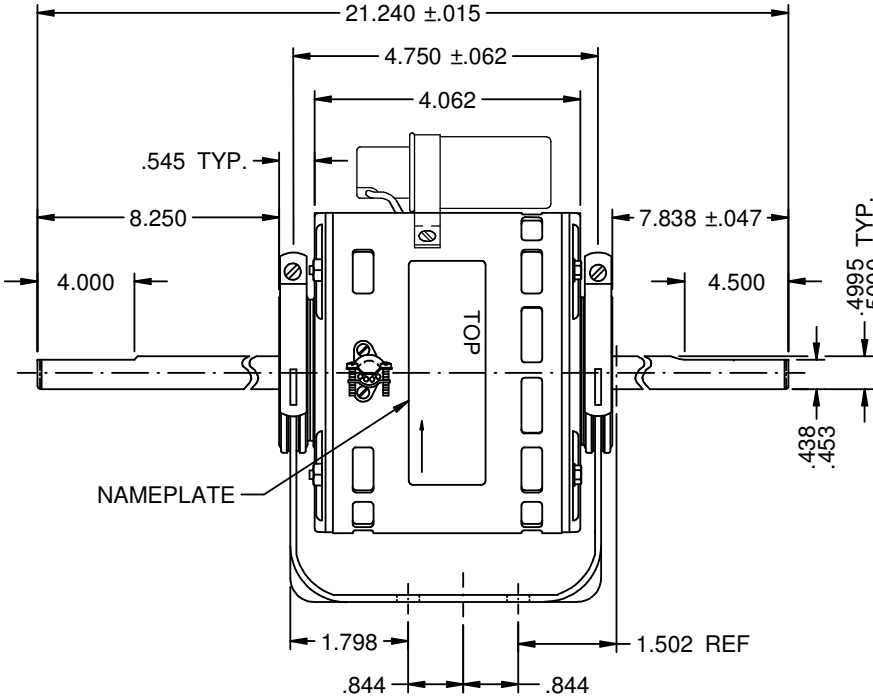
MODEL	REF	CUSTOMER	HP	VOLTS	AMPS	HZ	RPM	ROTATION	CUSTOMER PN	DESCRIPTION / REMARKS
K48ZZTRZ-4106	A20199	STANDARD	1/8	277	.8	60	1500/3 SPD			

2 LEADS, #18, .031 THICK INSUL.



#16 GREEN GROUND LEAD TO BE 6.000 BETWEEN CENTERS OF TERMS. TERM TO FIT #10 SCREW

AUTOMATIC THERMAL PROTECTOR



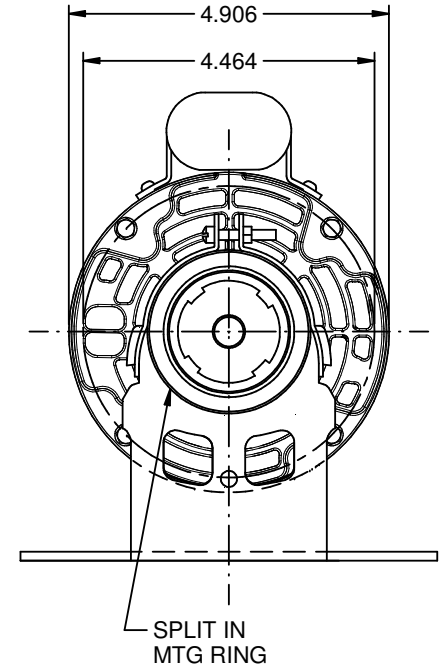
NAMEPLATE

ARROW ON BASE

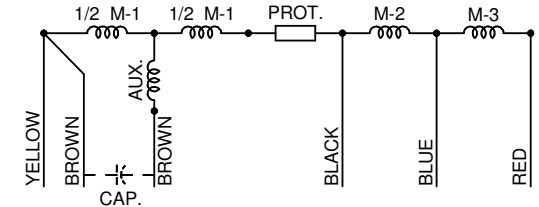


4 LEADS #18 .031 THICK INSUL. TO EXTEND BEYOND MOTOR:
YEL=72.000+3-0, BLK= 72.000+3-0
BLU= 72.000+3-0, RED= 72.000+3-0

- 1) MOTOR TO BE MOUNTED ON A HORZ. POSITION ONLY
- 2) USE WITH A 4 MFD/370 VAC CAPACITOR



SPLIT IN MTG RING



NIDEC MOTOR CORPORATION 23-May-17

REFER TO S.E.I.M. 24-1

REVISION RECORD FOR: E28697	
NEW DRAWING.	
ISSUED BY: B. ANDRADE	ENGINEER APPROVED: H. NAVARRO

DIMENSIONS ARE FOR REFERENCE ONLY

UNLESS TOLERANCE IS SPECIFIED

NIDEC MOTOR CORPORATION

INFORMATION DISCLOSED ON THIS DOCUMENT IS CONSIDERED PROPRIETARY AND SHALL NOT BE REPRODUCED OR DISCLOSED WITHOUT WRITTEN CONSENT OF NIDEC MOTOR CORPORATION

REVISION DATE: 17-MAY-17

TITLE	CODE	ITEM NO.	REV	SHEET NUMBER	DWG SIZE
CUSTOMER DETAIL DRAWING	V02	815667	-	1 OF 3	B