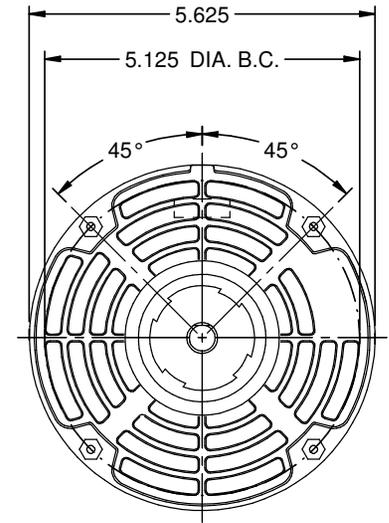
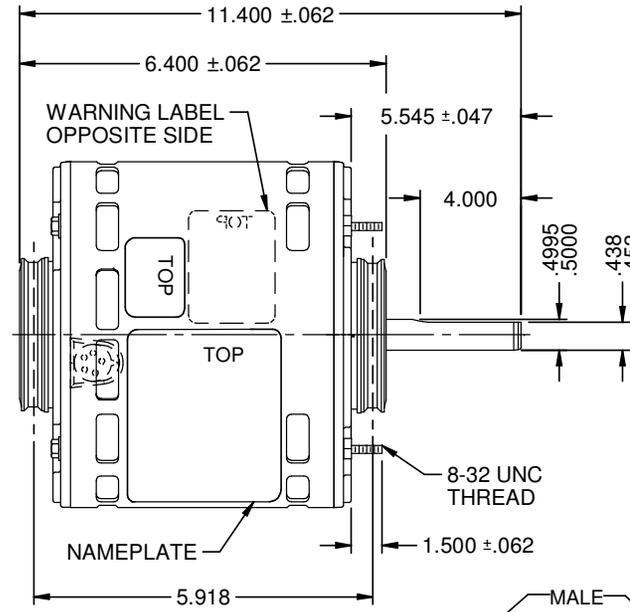
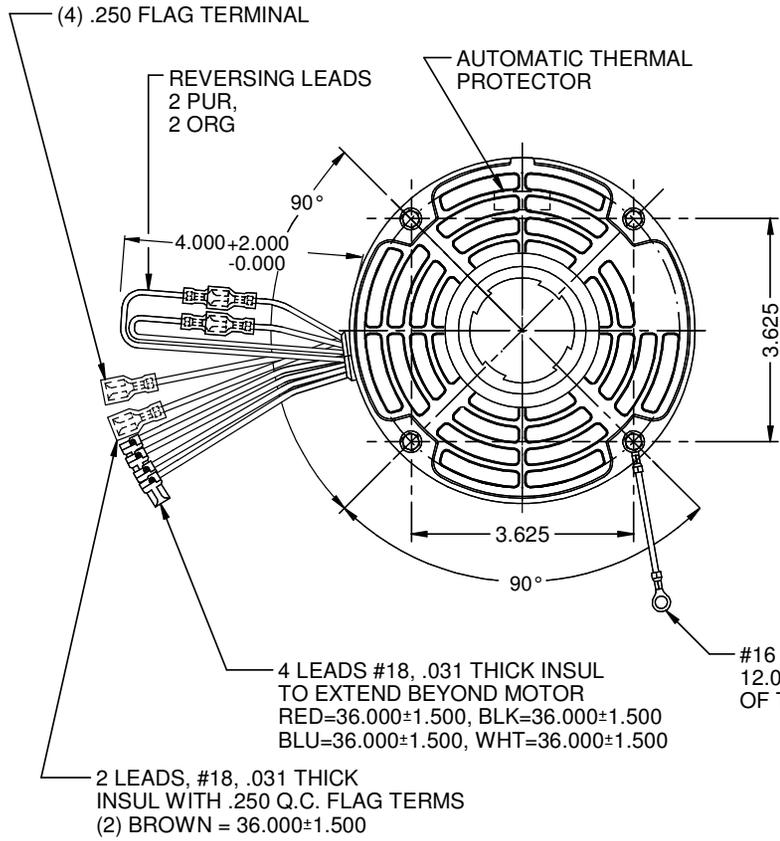
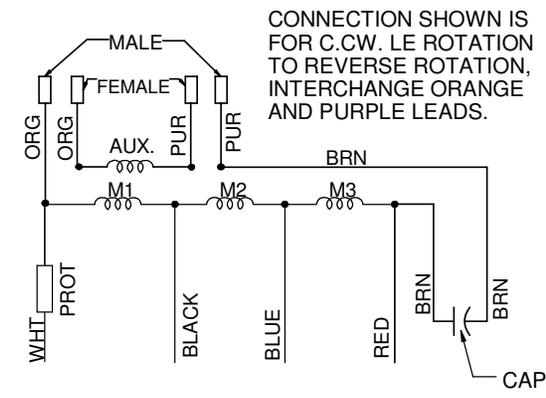


MODEL	REF	CUSTOMER	HP	VOLTS	AMPS	HZ	RPM	ROTATION	CATALOG NO.	DESCRIPTION / REMARKS
K55HXPUG-1680	C37130	WHOLESALE-HAC	1/2	115	5.5	60	1625/3 SPD	CCW LEAD END REV	1694	



#16 GREEN GROUND LEAD TO BE 12.000±.250 BETWEEN CENTERS OF TERMS. TERM TO FIT #10 SCREW

COLOR CODE
 WHITE-COMMON
 BLACK-HIGH
 BLUE-MEDIUM
 RED-LOW
 BRONW-CAPACITOR



CONNECTION SHOWN IS FOR C.W. LE ROTATION TO REVERSE ROTATION, INTERCHANGE ORANGE AND PURPLE LEADS.

NOTE:
 -KIT - 2 1/2" RING CONVERSION SHIPPED IN CARTON

NIDEC MOTOR CORPORATION 23-May-17

REFER TO S.E.I.M. 24-1

CREATED DRAWING.	REVISION RECORD FOR: E28700
ISSUED BY: G. MEDINA	ENGINEER APPROVED: H. NAVARRO

DIMENSIONS ARE FOR REFERENCE ONLY
 UNLESS TOLERANCE IS SPECIFIED

NIDEC MOTOR CORPORATION			
INFORMATION DISCLOSED ON THIS DOCUMENT IS CONSIDERED PROPRIETARY AND SHALL NOT BE REPRODUCED OR DISCLOSED WITHOUT WRITTEN CONSENT OF NIDEC MOTOR CORPORATION			
TITLE		CODE	ITEM NO.
CUSTOMER DETAIL DRAWING		V02	815744
REV	SHEET NUMBER	DWG SIZE	REVISION DATE
-	1 OF 3	B	23-MAY-17