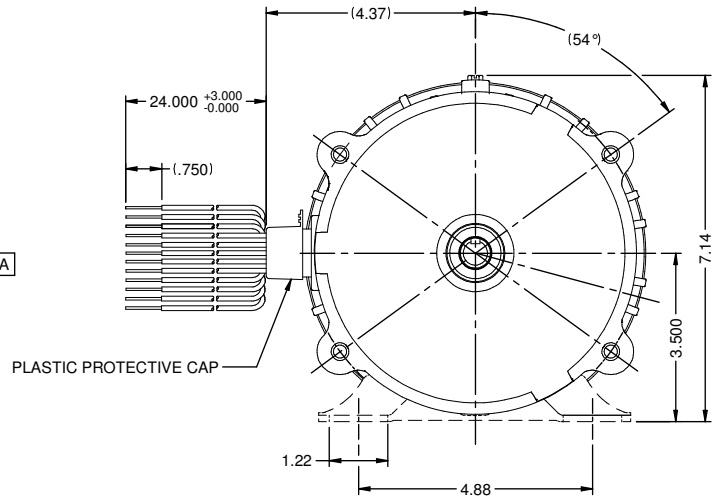
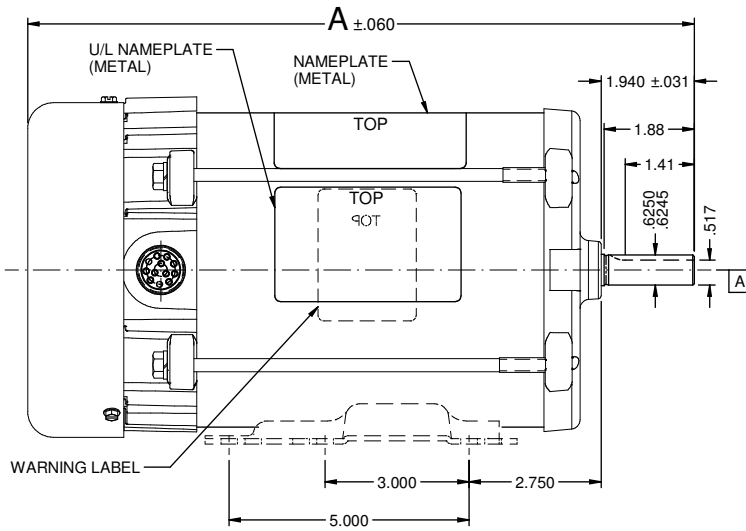


VAR	MODEL	CUSTOMER	CAT. NO.	A	BV	HP	VOLTS	SF	AMPS	HZ	RPM	PROTECTOR	DESCRIPTION / REMARKS
001	PH63KVACR-1115	USEM	XS2PA2AH	16.65	----	2.0	208-230/460	1.15	6.7-6.4/3.2	60	1725	AUTO	N56H, TEFC, RIGID BASE



NOTE:

- 1.) CONDUIT BOX SUPPLIED DETACHED.
- 2.) SHAFT KEY TAPED TO MOTOR.

NIDEC MOTOR CORPORATION 01-Aug-17

ROTATION: REVERSIBLE

HAZARDOUS LOCATION MOTOR

REFER TO S.E.I.M. 24-1

NEW DRAWING.		REVISION RECORD FOR:	JC 71728	TOLERANCES ON DIMENSIONS (UNLESS OTHERWISE SPECIFIED):		NIDEC MOTOR CORPORATION			INFORMATION DISCLOSED ON THIS DOCUMENT IS CONSIDERED PROPRIETARY AND SHALL NOT BE REPRODUCED OR DISCLOSED WITHOUT WRITTEN CONSENT OF NIDEC MOTOR CORPORATION			REVISION DATE: 27-JUL-17	
ISSUED BY:		ENGINEER APPROVED:		INCHES	mm	TITLE	CODE	ITEM NO.	REV	SHEET NUMBER	DWG SIZE		
B. ANDRADE		T. BOSSALLER		.XX = ±.010		CUSTOMER DETAIL DRAWING	V02	816616	-	1 OF 4	B		
				.XXX = ±.005									
				ANGLES X° = ±1°									

V02_NMCB (MAR-2014)

SOLIDEDGE