

MODEL	REF	CUSTOMER	HP	VOLTS	AMPS	HZ	RPM	ROTATION	CUSTOMER P.N.	DESCRIPTION / REMARKS
K55HXSZ-654		STANDARD	1/3	230	3.0	60	825	REVERSIBLE	5345	

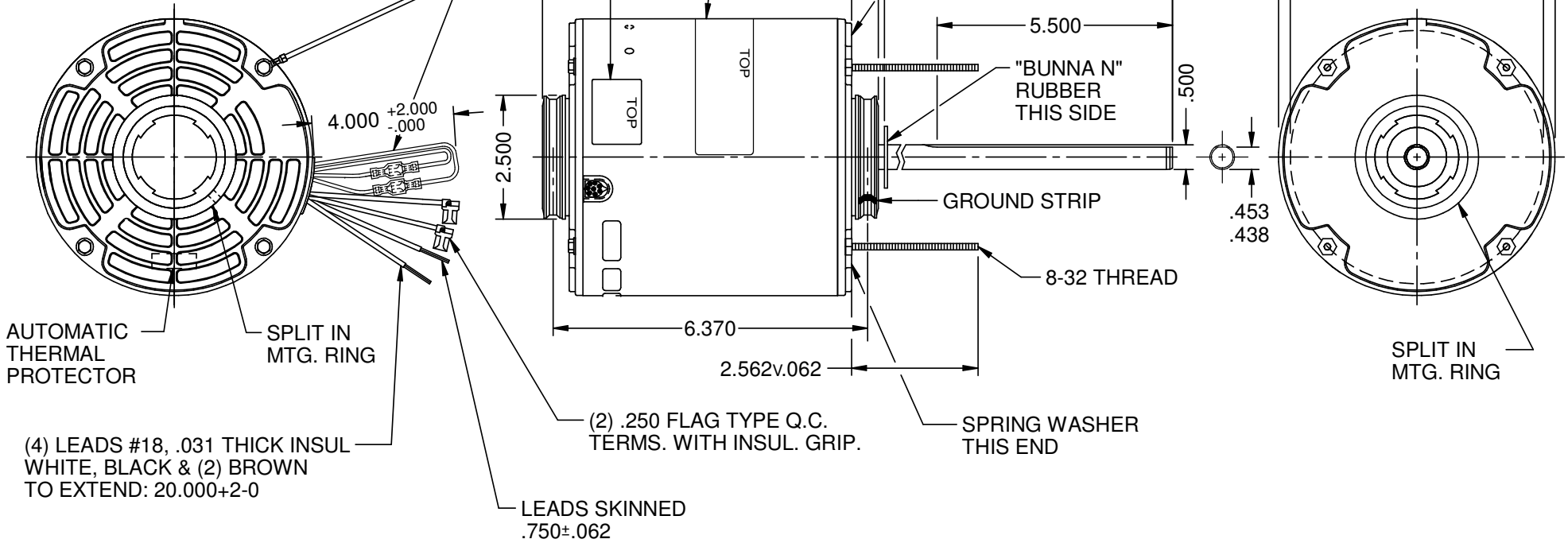
#16 GRN. GRD. LEAD TO BE 6.000±.250 BETWEEN CENTERS OF TERMS. TERM. TO FIT #10 SCREW

4 LEADS 2 YEL. & 2 ORG. #18, .031 THICK INSUL FOR REVERSING LEADS

WARNING LABEL TO BE ADJACENT TO REV. LEADS

TOTALLY ENCLOSED ENDSHIELD (THIS END)

SHIPPED DETACHED
1 CAPACITOR CLAMP
1 CAPACITOR CAP
2 10-32 TYPE C SCREWS
4 RINGS OUTER HUB



NIDEC MOTOR CORPORATION 14-Aug-17

REFER TO S.E.I.M. 24-1

CREATED NEW DRAWING	REVISION RECORD FOR: ECO: E29430
ISSUED BY: F. GARCIA	ENGINEER APPROVED: Z. TREVIÑO

DIMENSIONS ARE FOR REFERENCE ONLY

UNLESS TOLERANCE IS SPECIFIED

NIDEC MOTOR CORPORATION

INFORMATION DISCLOSED ON THIS DOCUMENT IS CONSIDERED PROPRIETARY AND SHALL NOT BE REPRODUCED OR DISCLOSED WITHOUT WRITTEN CONSENT OF NIDEC MOTOR CORPORATION

REVISION DATE: 14-AUG-17

TITLE	CODE	ITEM NO.	REV	SHEET NUMBER	DWG SIZE
CUSTOMER DETAIL DRAWING	V02	817033	--	1 OF 3	B