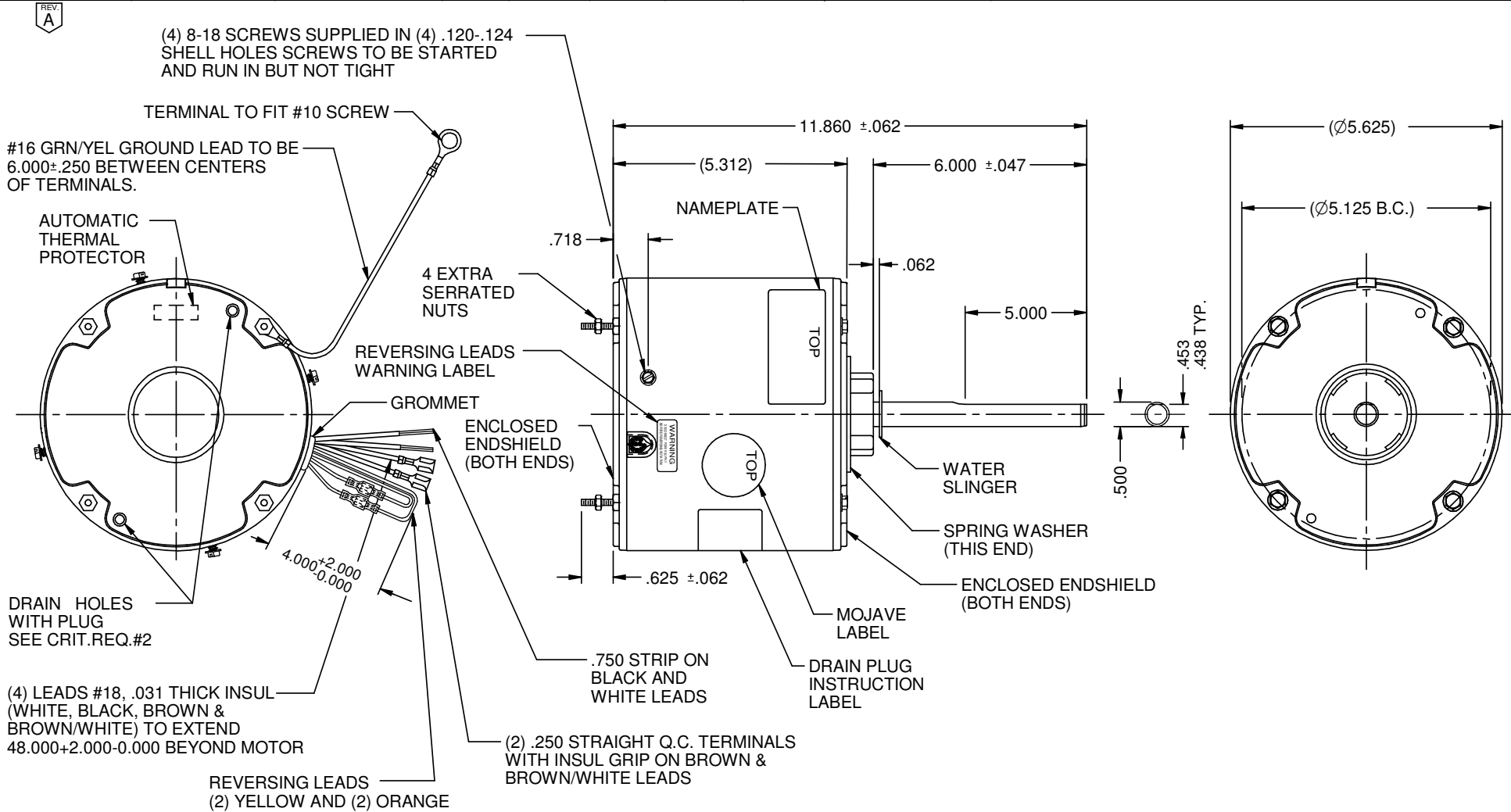


MODEL	REF	CUSTOMER	HP	VOLTS	AMPS	HZ	RPM	ROTATION	CUSTOMER PT. NO.	DESCRIPTION/REMARKS
K55HXWGF-947	A27567	WHOLESALE-HAC	1/2	460	1.5	60	1075	CW LEAD END, REV	CAT NO. 3738H	



NIDEC MOTOR CORPORATION 04-Jan-19

REFER TO S.E.I.M. 24-1

REVISION RECORD FOR:	E33364
CHANGE PROTECTOR CODE FROM ZZ TO HX	
ISSUED BY:	E. GONZALEZ
ENGINEER APPROVED:	J. RICE

DIMENSIONS ARE FOR REFERENCE ONLY
UNLESS TOLERANCE IS SPECIFIED

NIDEC MOTOR CORPORATION			
INFORMATION DISCLOSED ON THIS DOCUMENT IS CONSIDERED PROPRIETARY AND SHALL NOT BE REPRODUCED OR DISCLOSED WITHOUT WRITTEN CONSENT OF NIDEC MOTOR CORPORATION			
TITLE		CODE	ITEM NO.
CUSTOMER DETAIL DRAWING		V02	817076
REVISION DATE:	04-JAN-19	REV	A
SHEET NUMBER	1 OF 3	DWG SIZE	B