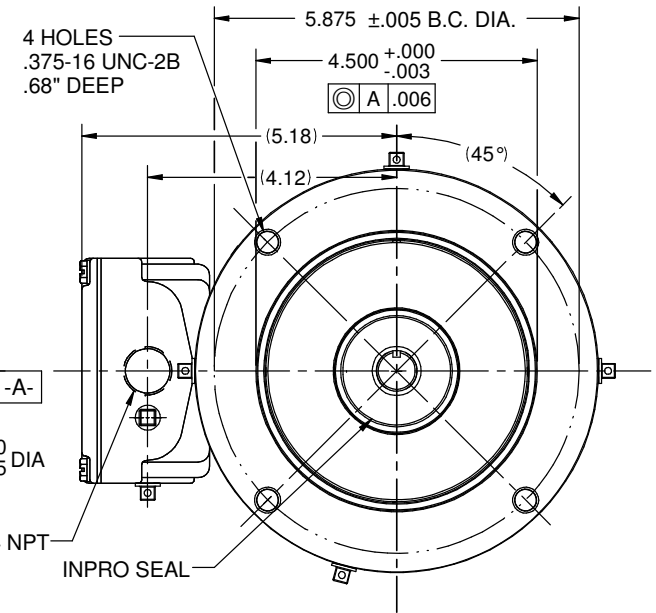
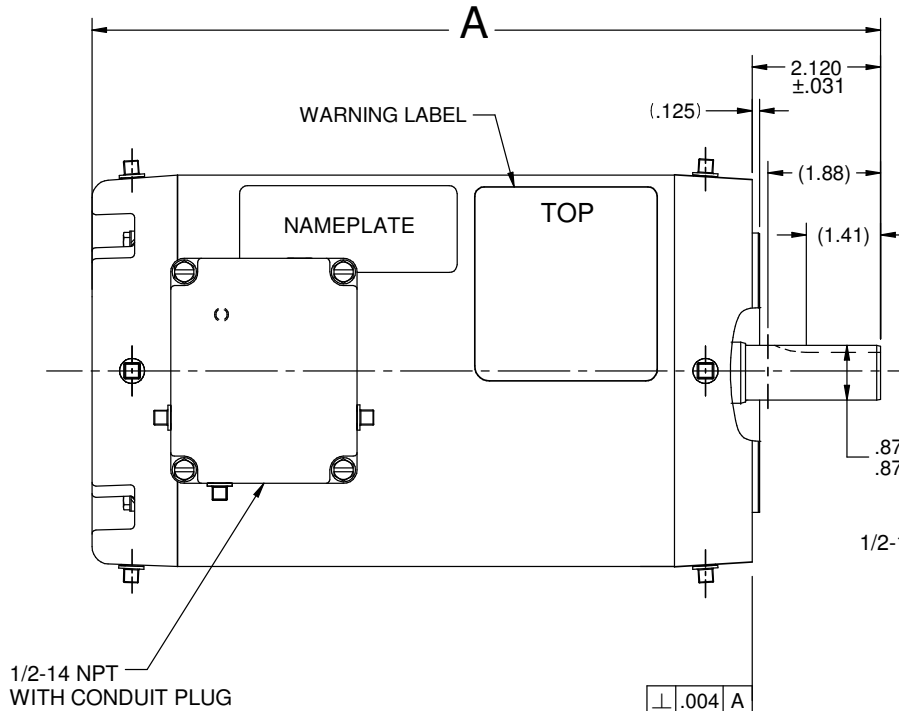
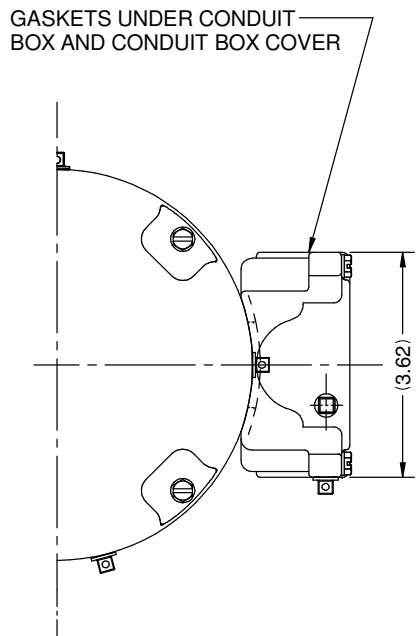


VAR	MODEL	CUSTOMER	CATALOG NO.	A	B	C	D	HP	VOLTS	SF	AMPS	HZ	RPM	PROTECTOR	BASE REQUIREMENT	DESCRIPTION / REMARKS
001	P63TLF-1478	USEM	WDP32P2ACR	14.31	-----	-----	-----	1.5	208-230/460&190/380	1.0	4.9-4.8/2.4	60&50	1725&1425	NONE	NONE	N145TC, TENV, STAINLESS STEEL SHELL



**CONNECTIONS**

LO VOLTS	HI VOLTS
④—⑤—⑥	④ ⑤ ⑥
⑦ ⑧ ⑨	⑦ ⑧ ⑨
① ② ③	① ② ③
L1 L2 L3	L1 L2 L3

TO REVERSE ROTATION INTERCHANGE ANY TWO LINE LEADS.

- NOTES:
- (11) 1/4-18 PLASTIC DRAIN PLUGS; (4) IN C-FACE, (4) IN OPPOSITE SHAFT END ENDSHIELD AND (3) IN CONDUIT BOX.
  - 303 STAINLESS STEEL SHAFT KEY SHIPPED WITH MOTOR.

NIDEC MOTOR CORPORATION 26-Oct-17

REFER TO S.E.I.M. 24-1

CREATED DRAWING.		REVISION RECORD FOR: ECO E29860	DIMENSIONS ARE FOR REFERENCE ONLY		<b>NIDEC MOTOR CORPORATION</b>				
ISSUED BY: G. MEDINA		ENGINEER APPROVED: M. SCHUETTE	UNLESS TOLERANCE IS SPECIFIED		INFORMATION DISCLOSED ON THIS DOCUMENT IS CONSIDERED PROPRIETARY AND SHALL NOT BE REPRODUCED OR DISCLOSED WITHOUT WRITTEN CONSENT OF NIDEC MOTOR CORPORATION				
					TITLE: CUSTOMER DETAIL DRAWING		CODE: V02	ITEM NO.: 818101	REVISION DATE: 26-OCT-17
					REV: -	SHEET NUMBER: 1 OF 5	DWG SIZE: B	SOLIDEDGE	