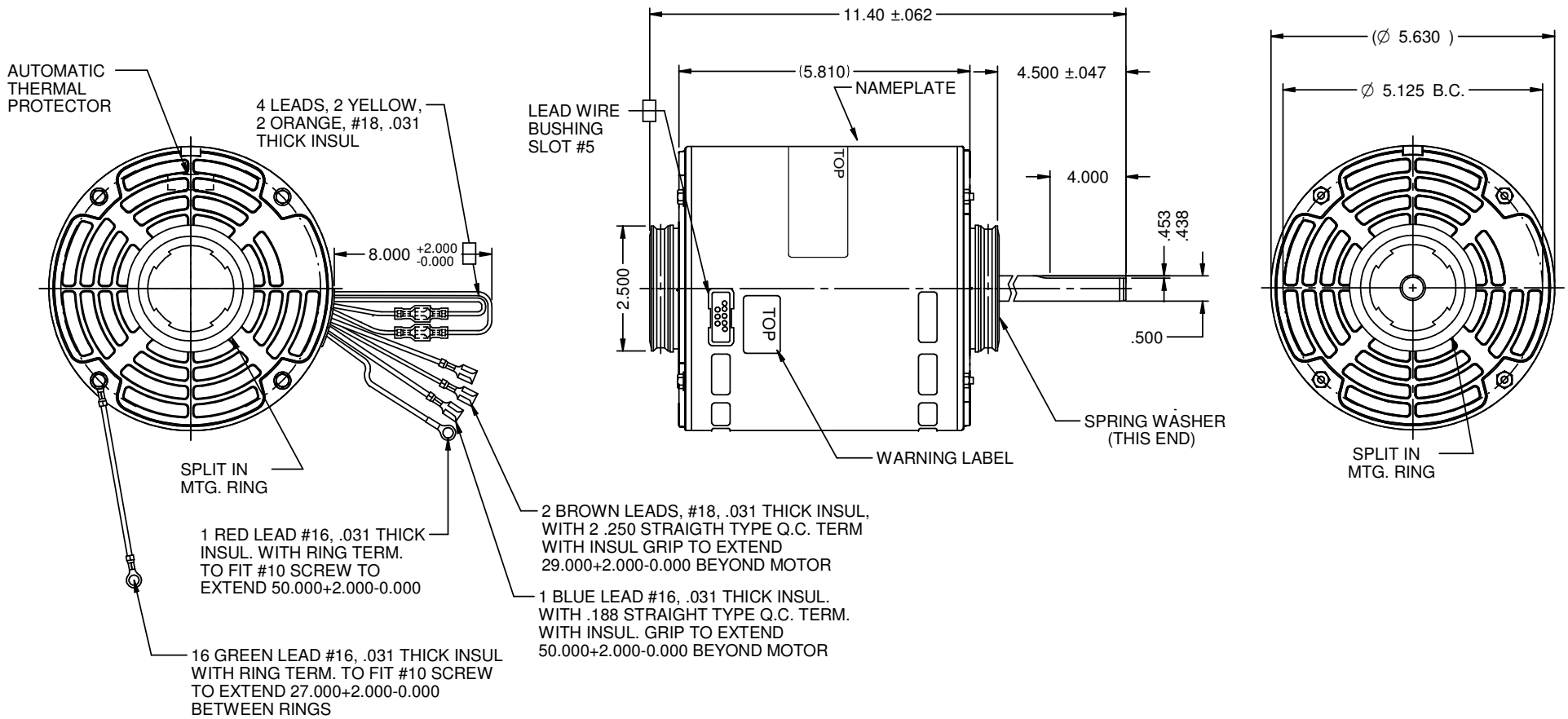


MODEL	REF	CUSTOMER	HP	VOLTS	AMPS	HZ	RPM	ROTATION	CUSTOMER PT. NO.	DESCRIPTION / REMARKS
K55HXSEH-993		STANDARD	1/3	208-230	2.7	60	825	CCW LEAD END, REV	6873	



NIDEC MOTOR CORPORATION 26-Sep-18

REFER TO S.E.I.M. 24-1

NEW DRAWING.	REVISION RECORD FOR:	ECO: E32250
ISSUED BY:	ENGINEER APPROVED:	
G. ISASSI	Z. TREVIÑO	

DIMENSIONS ARE FOR REFERENCE ONLY
UNLESS TOLERANCE IS SPECIFIED

NIDEC MOTOR CORPORATION					
INFORMATION DISCLOSED ON THIS DOCUMENT IS CONSIDERED PROPRIETARY AND SHALL NOT BE REPRODUCED OR DISCLOSED WITHOUT WRITTEN CONSENT OF NIDEC MOTOR CORPORATION					REVISION DATE:
TITLE					26-SEP-18
CUSTOMER DETAIL DRAWING		CODE	ITEM NO.	REV	SHEET NUMBER
		V02	822857	-	1 OF 3
					DWG SIZE
					B