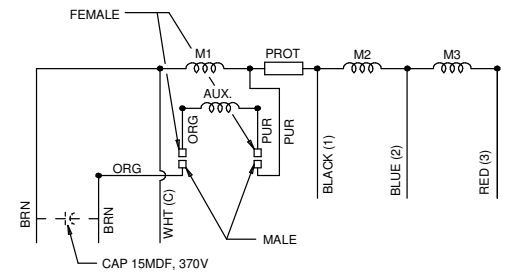
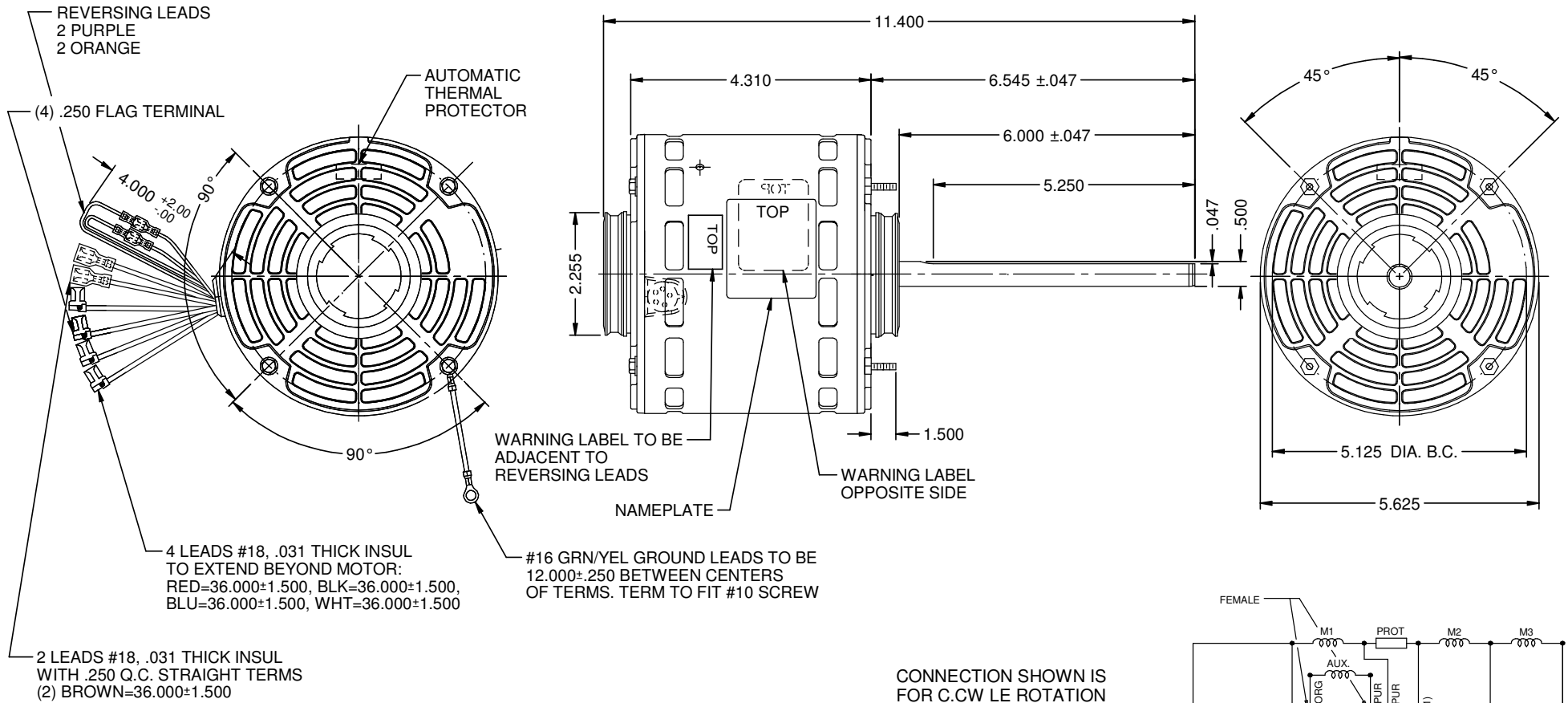


MODEL	REF	CUSTOMER	HP	VOLTS	AMPS	HZ	RPM	ROTATION	CAT. NO	DESCRIPTION / REMARKS
K55HXKCY-9442		STANDARD	1/3	115	3.7	60	1625/3 SPD	C.CW LE REV	1692	



NIDEC MOTOR CORPORATION 04-Oct-18

REFER TO S.E.I.M. 24-1

CREATED NEW DRAWING	REVISION RECORD FOR:	ECO: E32195
ISSUED BY:	ENGINEER APPROVED:	
F. GARCIA	P. RODRIGUEZ	

DIMENSIONS ARE FOR REFERENCE ONLY

UNLESS TOLERANCE IS SPECIFIED

NIDEC MOTOR CORPORATION

INFORMATION DISCLOSED ON THIS DOCUMENT IS CONSIDERED PROPRIETARY AND SHALL NOT BE REPRODUCED OR DISCLOSED WITHOUT WRITTEN CONSENT OF NIDEC MOTOR CORPORATION

REVISION DATE:
04-OCT-18

TITLE	CODE	ITEM NO.	REV	SHEET NUMBER	DWG SIZE
CUSTOMER DETAIL DRAWING	V02	822862	--	1 OF 3	B