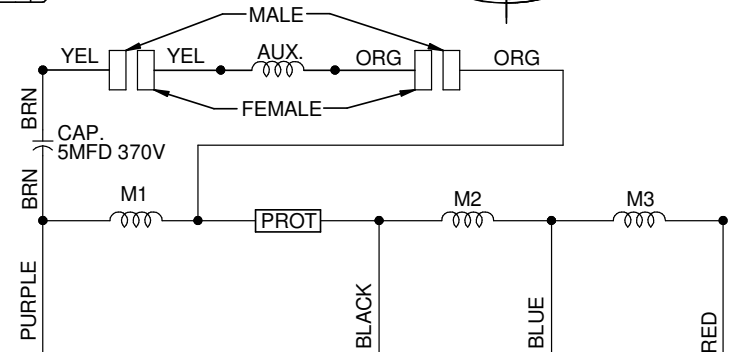
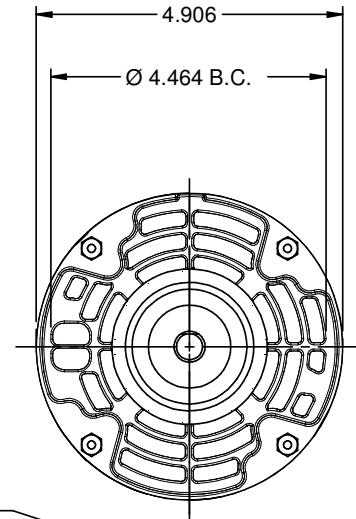
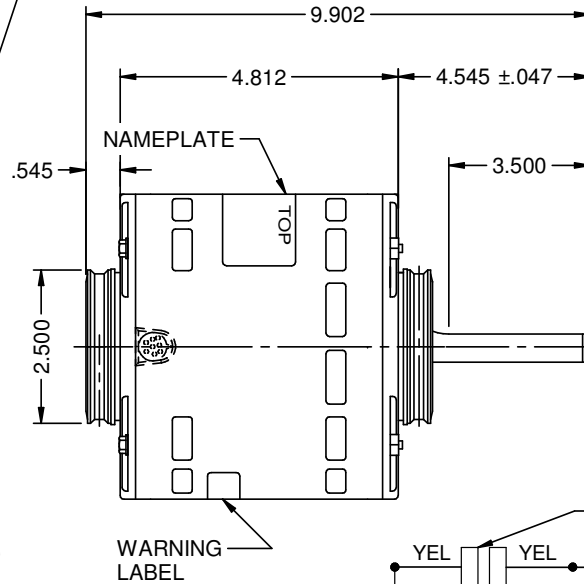
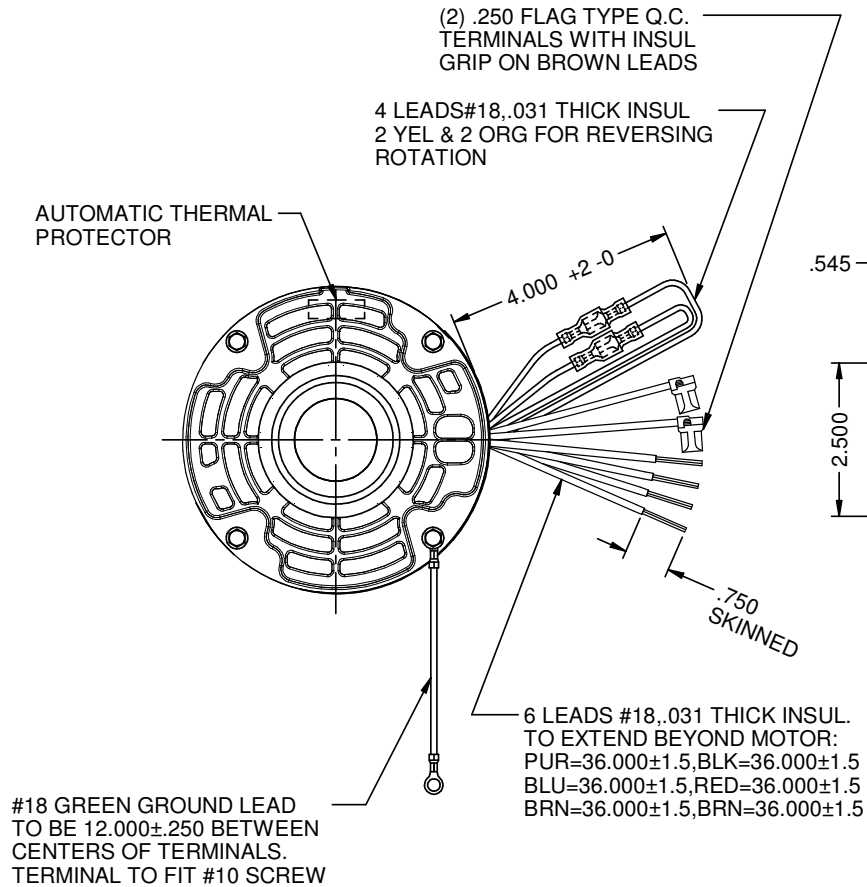


MODEL	REF	CUSTOMER	CUSTOMER PN	HP	VOLTS	AMPS	HZ	RPM	ROTATION	DESCRIPTION / REMARKS
K48HXTTW-4147	A20876	STANDAR	8952	1/5	208-230	1.6	60	1075/3SPD	CCW LE REV.	



ROTATION IS COUNTER CLOCKWISE VIEWING LEAD END WITH ORG TO ORG & YEL TO YEL. TO REVERSE ROTATION INTERCHANGE ORG & YEL LEADS

NIDEC MOTOR CORPORATION 25-Oct-18

REFER TO S.E.I.M. 24-1

REVISION RECORD FOR:	ECO E32155
NEW DRAWING CREATED.	
ISSUED BY:	I. GUTIERREZ
ENGINEER APPROVED:	P. RODRIGUEZ

DIMENSIONS ARE FOR REFERENCE ONLY

UNLESS TOLERANCE IS SPECIFIED

NIDEC MOTOR CORPORATION

INFORMATION DISCLOSED ON THIS DOCUMENT IS CONSIDERED PROPRIETARY AND SHALL NOT BE REPRODUCED OR DISCLOSED WITHOUT WRITTEN CONSENT OF NIDEC MOTOR CORPORATION

REVISION DATE: 25-OCT-18

TITLE	CODE	ITEM NO.	REV	SHEET NUMBER	DWG SIZE
CUSTOMER DETAIL DRAWING	V02	823378	--	1 OF 3	B