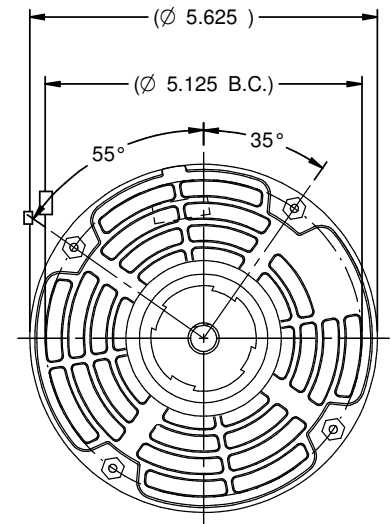
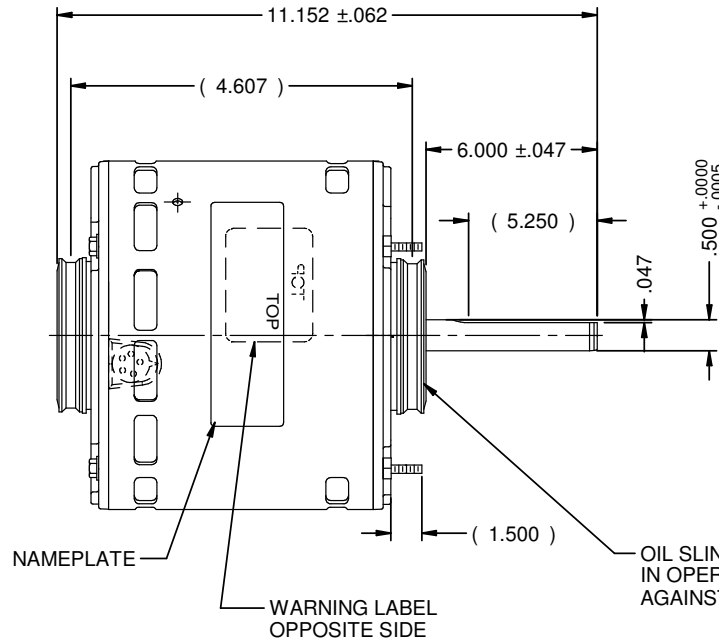
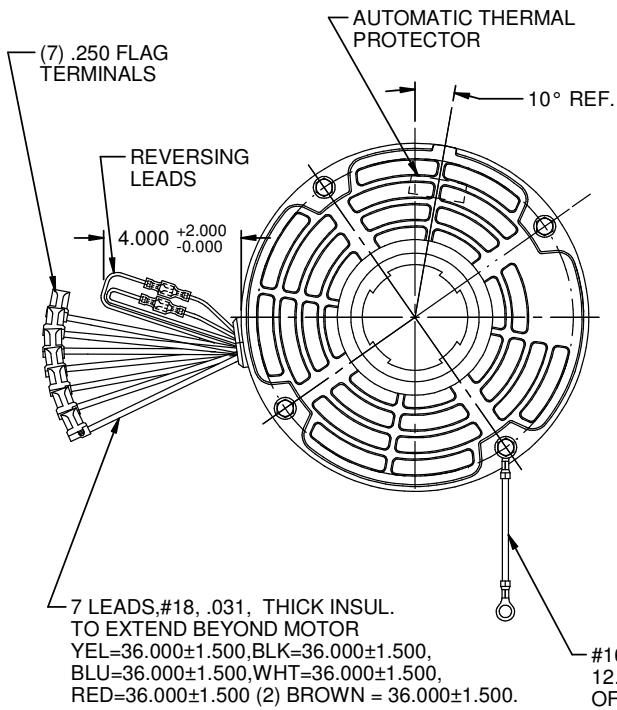


MODEL	REF	CUSTOMER	HP	VOLTS	AMPS	HZ	RPM	ROTATION	CAT. NO.	DESCRIPTION / REMARKS
K55HXKCP-9437		STANDARD	1/6	208-230	1.1-1.0	60	1075/4 SPD	CCW LEAD END REV	5826	K55 HUB, SLV BRG. OPEN



NOTE:
 -KIT - 2 1/2" RING CONVERSION
 SHIPPED IN CARTON

NIDEC MOTOR CORPORATION 08-Nov-18

REFER TO S.E.I.M. 24-1

CREATED DRAWING.		REVISION RECORD FOR: ECO: E32643	DIMENSIONS ARE FOR REFERENCE ONLY				NIDEC MOTOR CORPORATION INFORMATION DISCLOSED ON THIS DOCUMENT IS CONSIDERED PROPRIETARY AND SHALL NOT BE REPRODUCED OR DISCLOSED WITHOUT WRITTEN CONSENT OF NIDEC MOTOR CORPORATION				REVISION DATE:	
											UNLESS TOLERANCE IS SPECIFIED	
ISSUED BY:	G. ISASSI	ENGINEER APPROVED:	Z. TREVIÑO	CUSTOMER DETAIL DRAWING		V02	823535	-	1 OF 3	B		