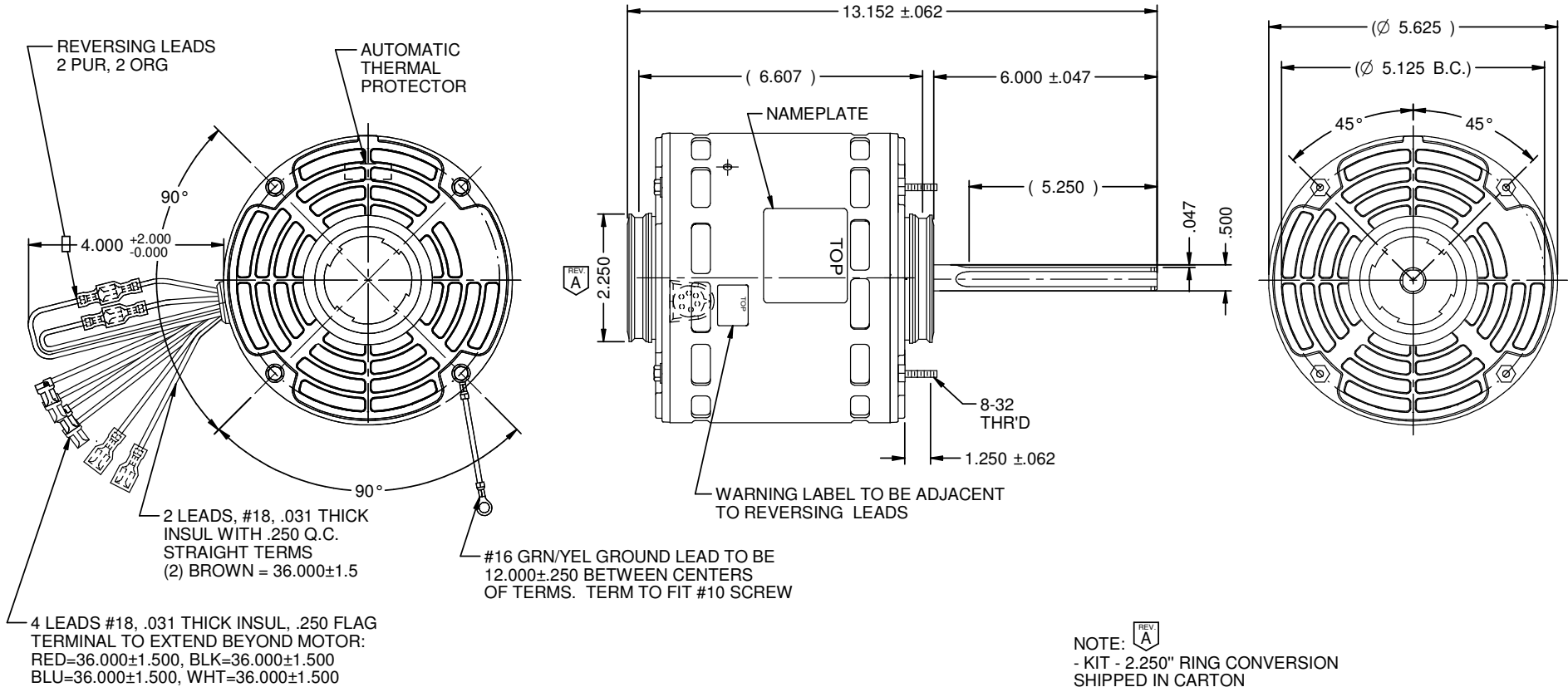


MODEL	REF	CUSTOMER	HP	VOLTS	AMPS	HZ	RPM	ROTATION	CAT. NO.	DESCRIPTION / REMARKS
K55BWTMY-9594		STANDARD	1	115	11.1	60	1625/3 SPD	CCW LEAD END REV	1699	K55 HUB, OPEN, S/A BRG.



NIDEC MOTOR CORPORATION 04-May-20

REFER TO S.E.I.M. 24-1

REVISION RECORD FOR: ECO E36982		DIMENSIONS ARE FOR REFERENCE ONLY		NIDEC MOTOR CORPORATION INFORMATION DISCLOSED ON THIS DOCUMENT IS CONSIDERED PROPRIETARY AND SHALL NOT BE REPRODUCED OR DISCLOSED WITHOUT WRITTEN CONSENT OF NIDEC MOTOR CORPORATION				REVISION DATE: 04-MAY-20	
UPDATED DIMENSION TO 2.250 AND NOTE TO 2.250		UNLESS TOLERANCE IS SPECIFIED						TITLE: CUSTOMER DETAIL DRAWING	CODE: V02
ISSUED BY: E. GONZALEZ	ENGINEER APPROVED: C. LUGO								