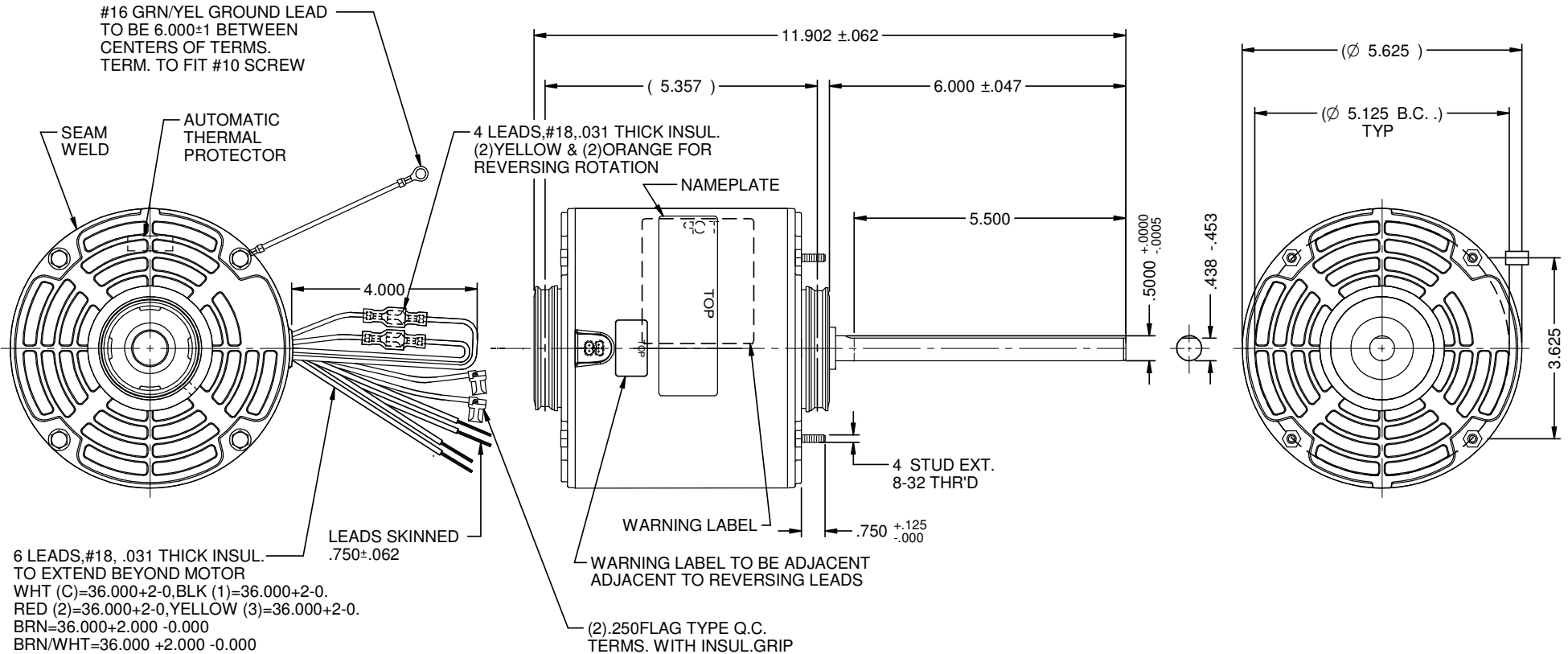


MODEL	REF	CUSTOMER	HP	VOLTS	AMPS	HZ	RPM	ROTATION	CUSTOMER PT. NO.	DESCRIPTION / REMARKS
K55HXTWZ-0054	A20835	STANDARD	1/3	460	1.3	60	1075/2 SPD	CCW LEAD END REV.	8945	K55 STUD MTD, BALL BRG, OPAO

SUPPLIED DETACHED
1 CAPACITOR



NIDEC MOTOR CORPORATION 28-May-19

REFER TO S.E.I.M. 24-1

REVISION RECORD FOR: ECO: E32643

NEW DRAWING.
DELETED NOTE INFORMATION "1 BOOKLET" UNDER ECO E34367

DIMENSIONS ARE FOR
REFERENCE ONLY

UNLESS TOLERANCE
IS SPECIFIED

NIDEC MOTOR CORPORATION

INFORMATION DISCLOSED ON THIS DOCUMENT IS CONSIDERED PROPRIETARY AND SHALL NOT BE
REPRODUCED OR DISCLOSED WITHOUT WRITTEN CONSENT OF NIDEC MOTOR CORPORATION

REVISION DATE:
19-NOV-18

ISSUED BY: G. ISASSI

ENGINEER APPROVED: Z. TREVIÑO

TITLE
CUSTOMER DETAIL DRAWING

CODE
V02

ITEM NO.
823583

REV
-

SHEET
NUMBER
1 OF 3

DWG
SIZE
B