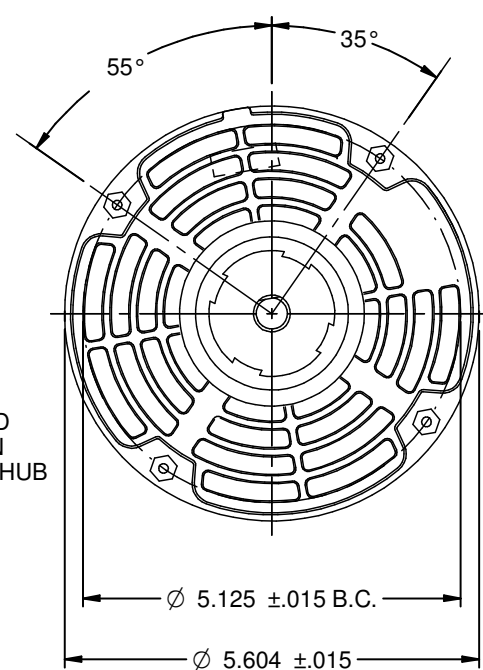
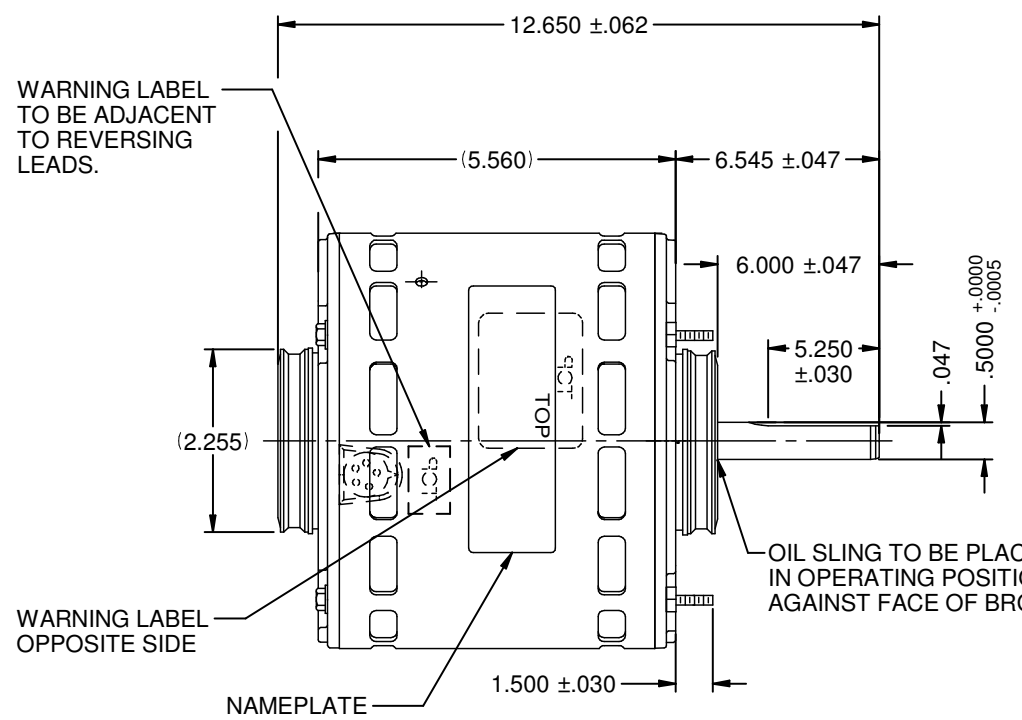
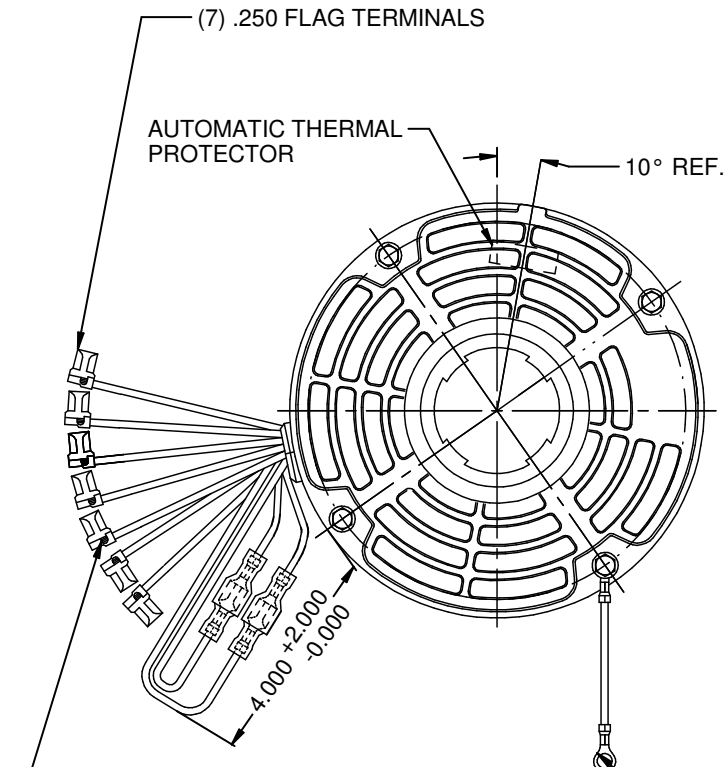


MODEL	REF	CUSTOMER	CAT NO.	HP	VOLTS	AMPS	HZ	RPM	ROTATION	DESCRIPTION / REMARKS
K55HXKDJ-9452		STANDARD	5845	3/4	115	10.6	60	1075/4SPD	CCW LE REV.	K55 HUB, S/A BRG, OPEN

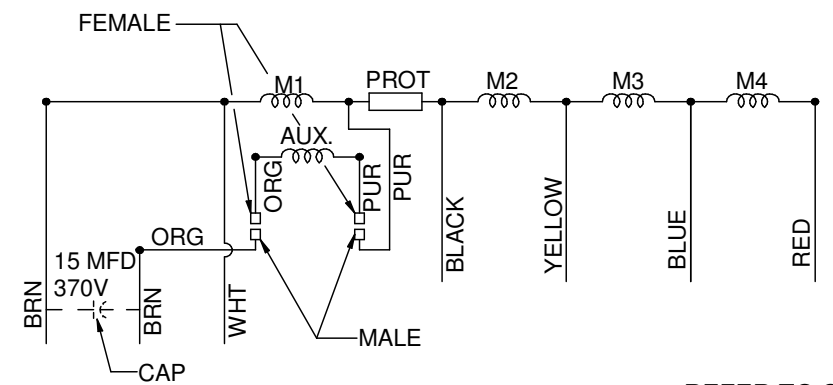
NOTE:
-KIT - 2 1/2" RING CONVERSION
SHIPPED IN CARTON.



7 LEADS, #18, .031 THICK INSUL. TO EXTEND BEYOND MOTOR:
YEL=36.000±1.500, BLK=36.000±1.500,
BLU=36.000±1.500, WHT=36.000±1.500,
RED=36.000±1.500 (2) BROWN=36.000±1.500

#16 GRN/YEL GROUND LEAD TO BE 12.000±.250 BETWEEN CENTERS OF TERMS. TERM. TO FIT #10 SCREW

CONNECTION SHOWN IS FOR C.W. LE. ROTATION TO REVERSE ROTATION, INTERCHANGE ORANGE AND PURPLE LEADS.



NIDEC MOTOR CORPORATION 20-Feb-19

REFER TO S.E.I.M. 24-1

REVISION RECORD FOR: ECO E32251	
NEW DRAWING CREATED.	
ISSUED BY: I. GUTIERREZ	ENGINEER APPROVED: D. TEJEDA

DIMENSIONS ARE FOR REFERENCE ONLY

UNLESS TOLERANCE IS SPECIFIED

NIDEC MOTOR CORPORATION			REVISION DATE: 26-NOV-18		
INFORMATION DISCLOSED ON THIS DOCUMENT IS CONSIDERED PROPRIETARY AND SHALL NOT BE REPRODUCED OR DISCLOSED WITHOUT WRITTEN CONSENT OF NIDEC MOTOR CORPORATION					
TITLE	CODE	ITEM NO.	REV	SHEET NUMBER	DWG SIZE
CUSTOMER DETAIL DRAWING	V02	823925	--	1 OF 3	B