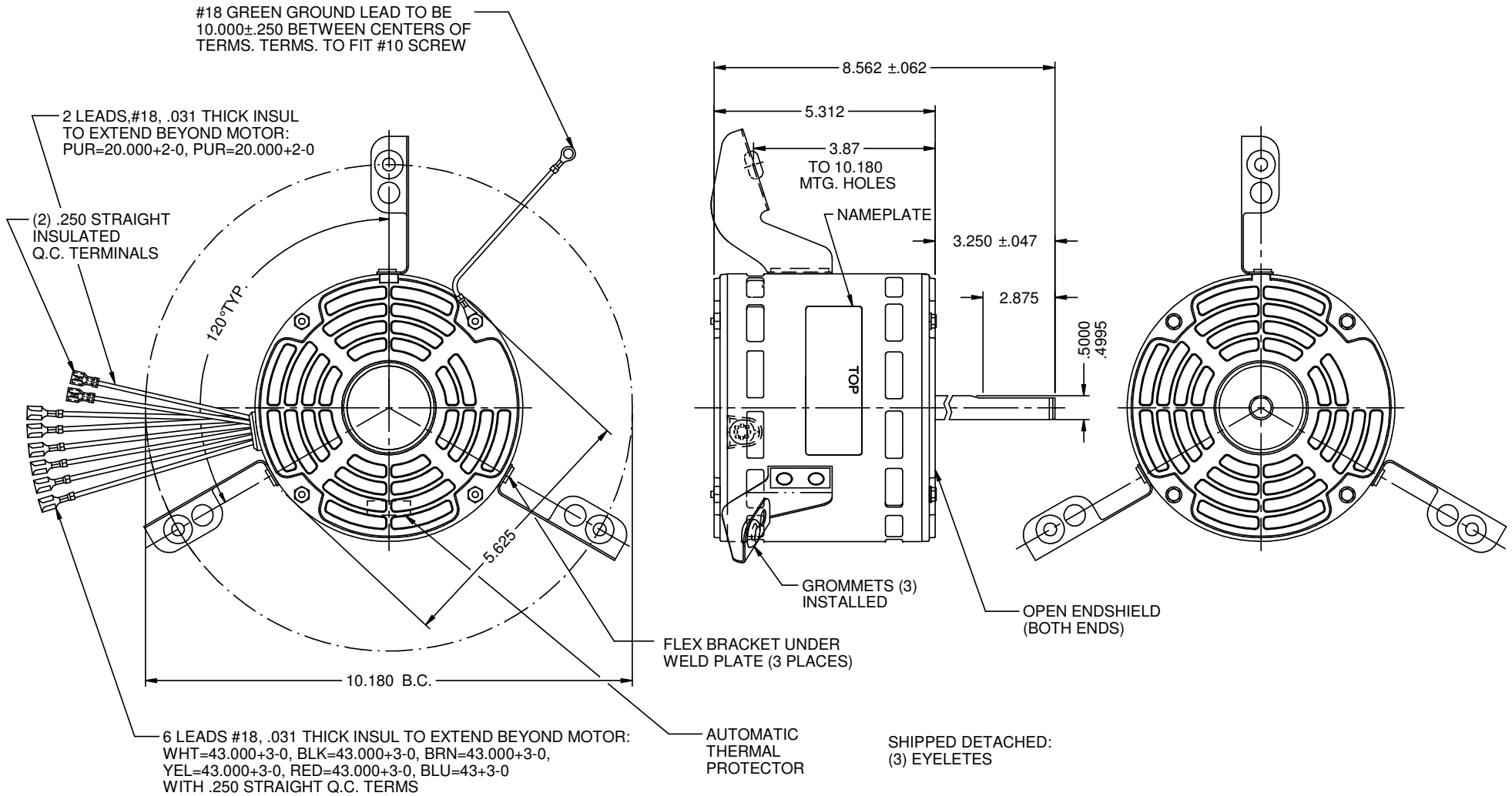


| MODEL         | REF       | CUSTOMER        | HP  | VOLTS | AMPS | HZ | RPM        | ROTATION     | CAT NO. | DESCRIPTION / REMARKS     |
|---------------|-----------|-----------------|-----|-------|------|----|------------|--------------|---------|---------------------------|
| K55HXDUD-1245 | A33369-X3 | WHOLESALE - HAC | 1/2 | 115   | 8.0  | 60 | 1075/5 SPD | CCW LEAD END | LX7920  | K55 HUBLESS SLV BRG. OPEN |



NIDEC MOTOR CORPORATION 18-Sep-19

REFER TO S.E.I.M. 24-1

|  |                               |
|--|-------------------------------|
| REVISION RECORD FOR: ECO: E35264   |                               |
| PAGE 3: NOTE 1 IS EDIT TO: 1.) (3) EYELETS E30256813A000 SHOULD BE INSTALLED |                               |
| ISSUED BY: C. RODRIGUEZ  | ENGINEER APPROVED: Z. TREVIÑO |

DIMENSIONS ARE FOR REFERENCE ONLY

UNLESS TOLERANCE IS SPECIFIED

**NIDEC MOTOR CORPORATION**

INFORMATION DISCLOSED ON THIS DOCUMENT IS CONSIDERED PROPRIETARY AND SHALL NOT BE REPRODUCED OR DISCLOSED WITHOUT WRITTEN CONSENT OF NIDEC MOTOR CORPORATION

REVISION DATE: 17-SEP-19

|                         |      |          |     |              |          |
|-------------------------|------|----------|-----|--------------|----------|
| TITLE                   | CODE | ITEM NO. | REV | SHEET NUMBER | DWG SIZE |
| CUSTOMER DETAIL DRAWING | V02  | 823932   | B   | 1 OF 3       | B        |