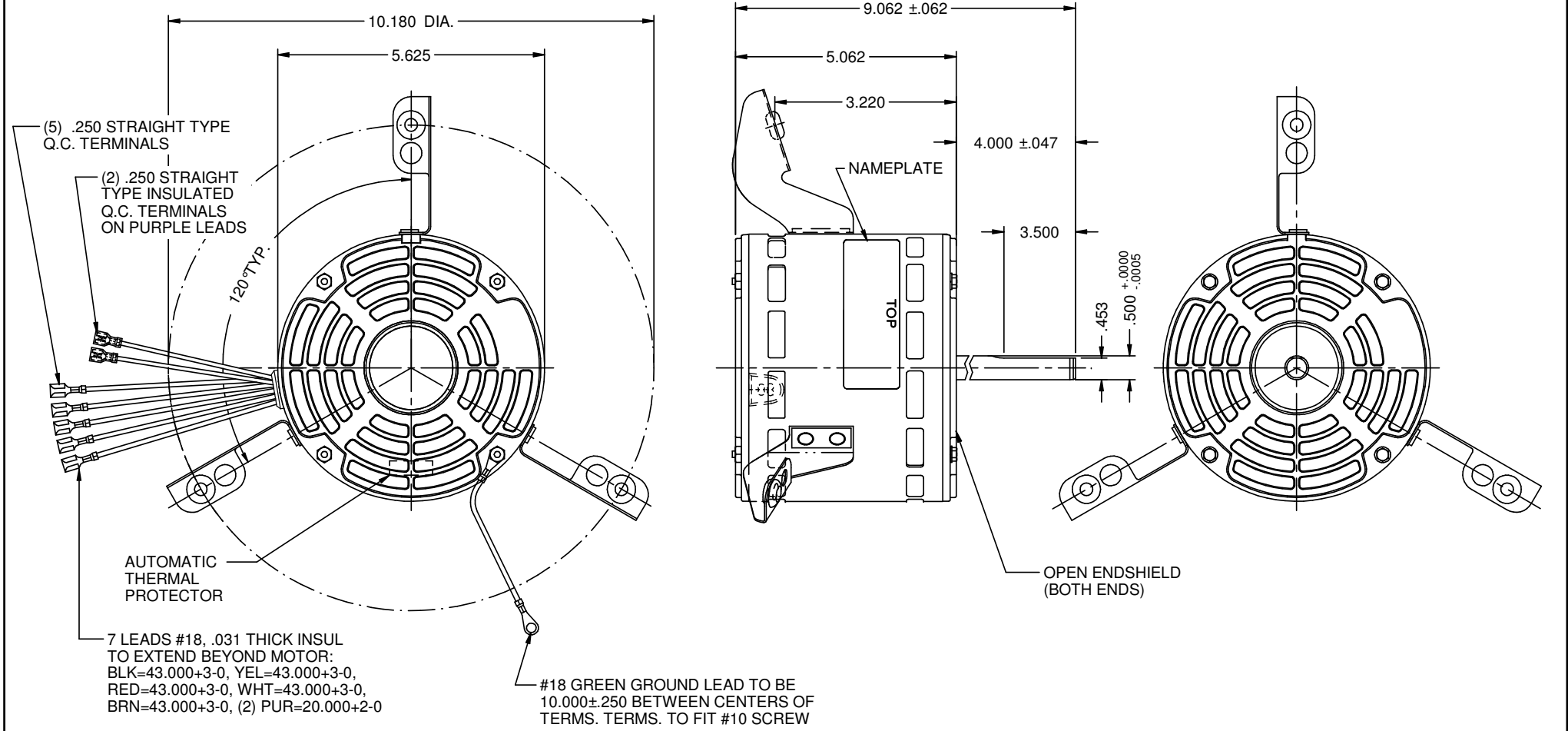


MODEL	REF	CUSTOMER	HP	VOLTS	AMPS	HZ	RPM	ROTATION	CAT NO.	DESCRIPTION / REMARKS
K55HXDUE-1249	A33381-X2	WHOLESALE HAC	1/3	115	5.1	60	1075/4 SPD	CCW LEAD END	LX7921	K55 HUBLESS SLEEVE BRG. OPEN



NIDEC MOTOR CORPORATION 18-Sep-19

REFER TO S.E.I.M. 24-1

REVISION RECORD FOR: ECO: E35264	
PAGE 3: NOTE 1 IS EDIT TO: 1.) (3) EYELETS E30256813A000 SHOULD BE INSTALLED.	
ISSUED BY: C. RODRIGUEZ	ENGINEER APPROVED: Z. TREVIÑO

DIMENSIONS ARE FOR REFERENCE ONLY

UNLESS TOLERANCE IS SPECIFIED

NIDEC MOTOR CORPORATION			
INFORMATION DISCLOSED ON THIS DOCUMENT IS CONSIDERED PROPRIETARY AND SHALL NOT BE REPRODUCED OR DISCLOSED WITHOUT WRITTEN CONSENT OF NIDEC MOTOR CORPORATION			REVISION DATE: 17-SEP-19
TITLE	CODE	ITEM NO.	REV
CUSTOMER DETAIL DRAWING	V02	823933	B
		SHEET NUMBER	DWG SIZE
		1 OF 3	B