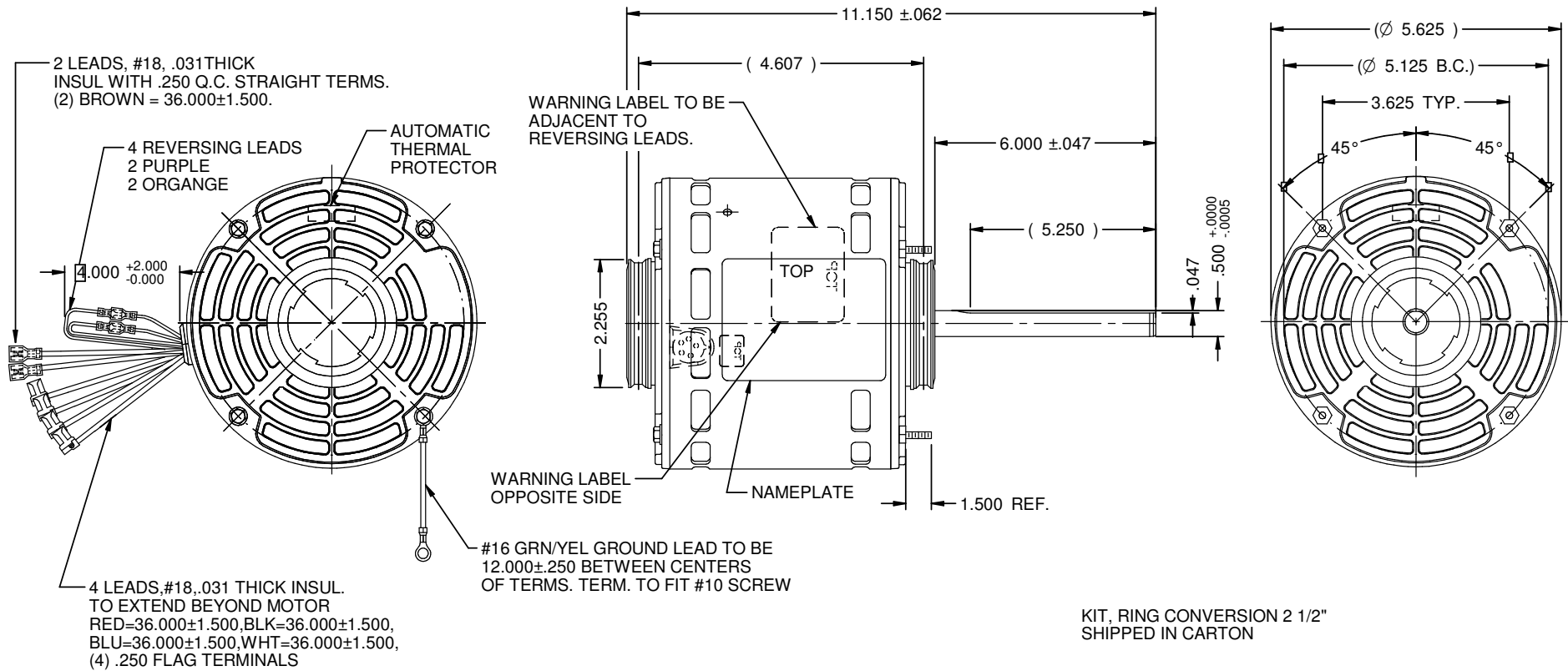


MODEL	REF	CUSTOMER	HP	VOLTS	AMPS	HZ	RPM	ROTATION	CAT. NO.	DESCRIPTION / REMARKS
K55HXKCR-9438		STANDARD	1/4	115	2.7	60	1625/3 SPD	CCW LEAD END REV	1690	K48 HUB, OPEN DRIPROOF SLV BRG.



NIDEC MOTOR CORPORATION 10-Dec-18

REFER TO S.E.I.M. 24-1

NEW DRAWING.		REVISION RECORD FOR: ECO: E32641	DIMENSIONS ARE FOR REFERENCE ONLY		<b>NIDEC MOTOR CORPORATION</b> INFORMATION DISCLOSED ON THIS DOCUMENT IS CONSIDERED PROPRIETARY AND SHALL NOT BE REPRODUCED OR DISCLOSED WITHOUT WRITTEN CONSENT OF NIDEC MOTOR CORPORATION				REVISION DATE: 10-DEC-18	
ISSUED BY: G. ISASSI		ENGINEER APPROVED: Z. TREVIÑO	UNLESS TOLERANCE IS SPECIFIED						TITLE: CUSTOMER DETAIL DRAWING	CODE: V02