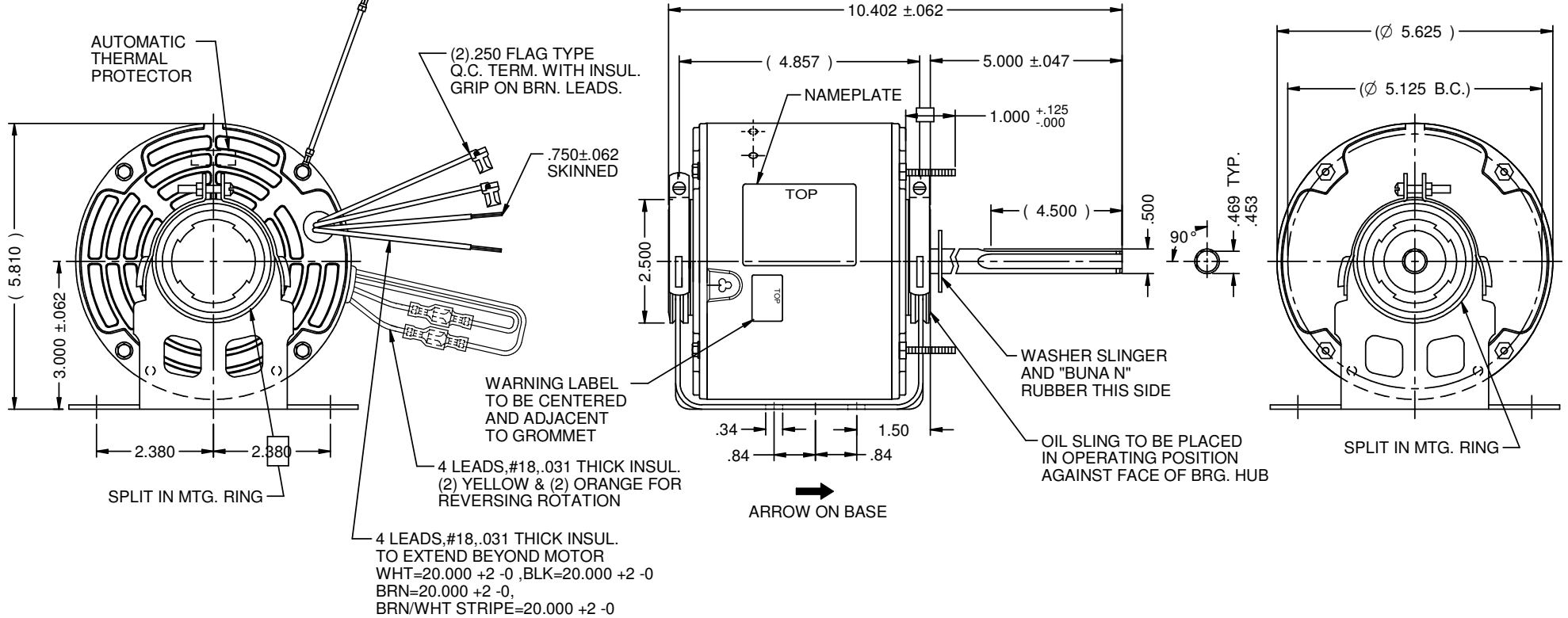


MODEL	REF	CUSTOMER	HP	VOLTS	AMPS	HZ	RPM	ROTATION	CUSTOMER PT. NO.	DESCRIPTION / REMARKS
KA55HXSAM-1137		STANDARD	1/4	230	1.9	60	1075	CCW LEAD END REV	3846	

#16 GREEN GROUND LEAD TO BE 6.000±.250 BETWEEN CENTERS OF TERMS. TERM. TO FIT #10 SCREW.

SHIPPED DETACHED:
 1 CAPACITOR
 1 CAPACITOR CLAMP
 1 CAPACITOR CAP
 2 10-32 TYPE "C" SCREWS



NIDEC MOTOR CORPORATION 12-Dec-18

REFER TO S.E.I.M. 24-1

NEW DRAWING.	REVISION RECORD FOR: ECO: E32641
ISSUED BY: G. ISASSI	ENGINEER APPROVED: Z. TREVIÑO

DIMENSIONS ARE FOR REFERENCE ONLY
 UNLESS TOLERANCE IS SPECIFIED

NIDEC MOTOR CORPORATION			
INFORMATION DISCLOSED ON THIS DOCUMENT IS CONSIDERED PROPRIETARY AND SHALL NOT BE REPRODUCED OR DISCLOSED WITHOUT WRITTEN CONSENT OF NIDEC MOTOR CORPORATION			REVISION DATE: 12-DEC-18
TITLE CUSTOMER DETAIL DRAWING	CODE V02	ITEM NO. 824105	REV -
		SHEET NUMBER 1 OF 3	DWG SIZE B