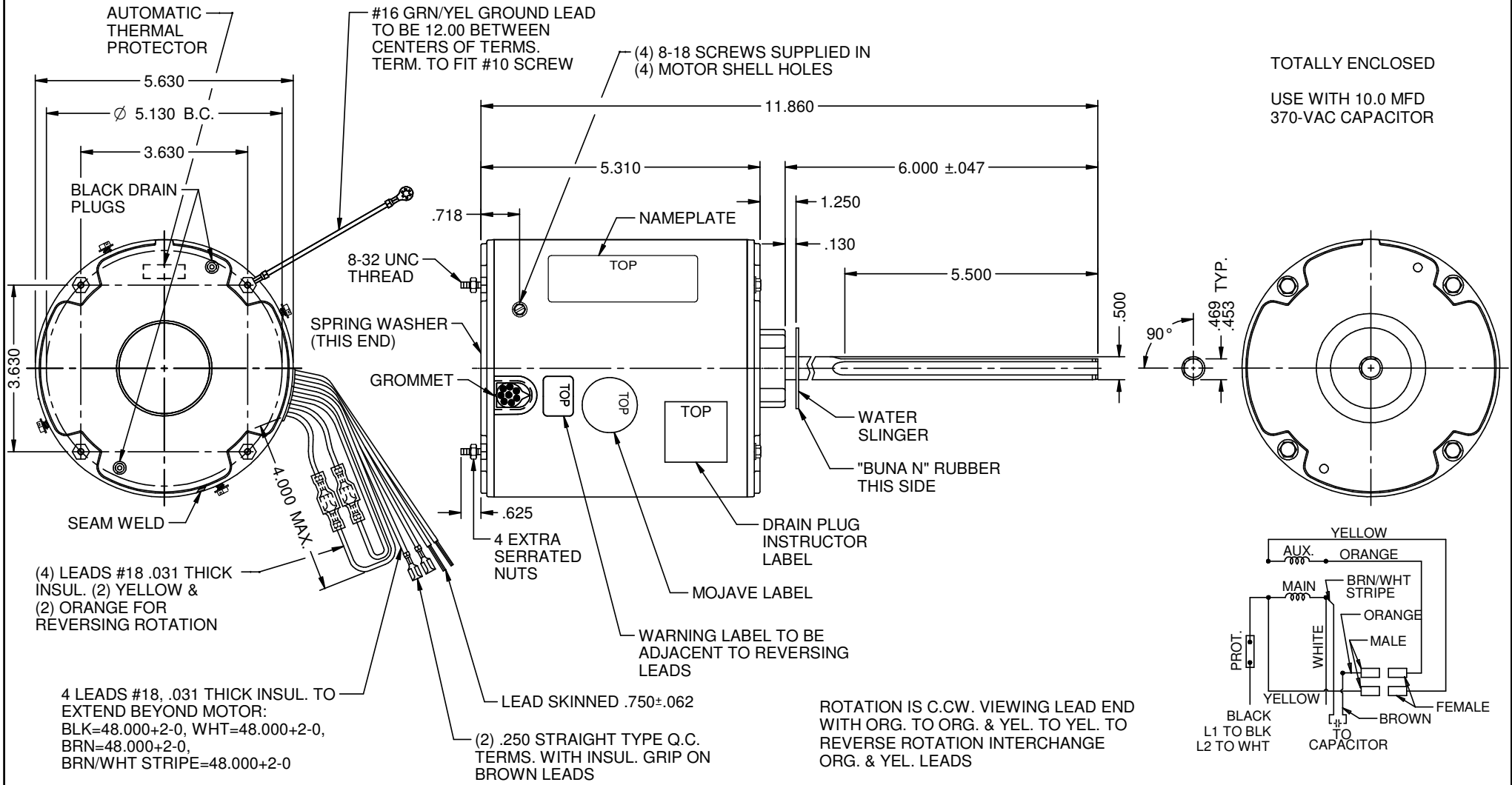


MODEL	REF	CUSTOMER	HP	VOLTS	AMPS	HZ	RPM	ROTATION	CAT. NO.	DESCRIPTION / REMARKS
K55HXWEJ-626	---	STANDARD	1/2	208-230	3.2	60	1075	C.CW LEAD END REV.	1862H	K55 ENCLOSED, STUD MTD., BALL BRG.



NIDEC MOTOR CORPORATION 07-Jan-19

REFER TO S.E.I.M. 24-1

REVISION RECORD FOR:		ECO: E32095
CREATED NEW DRAWING		
ISSUED BY:	F. GARCIA	ENGINEER APPROVED: J. RICE

DIMENSIONS ARE FOR REFERENCE ONLY  
 UNLESS TOLERANCE IS SPECIFIED

NIDEC MOTOR CORPORATION			
INFORMATION DISCLOSED ON THIS DOCUMENT IS CONSIDERED PROPRIETARY AND SHALL NOT BE REPRODUCED OR DISCLOSED WITHOUT WRITTEN CONSENT OF NIDEC MOTOR CORPORATION			REVISION DATE: 07-JAN-19
TITLE	CODE	ITEM NO.	REV
CUSTOMER DETAIL DRAWING	V02	824474	--
			SHEET NUMBER 1 OF 3
			DWG SIZE B