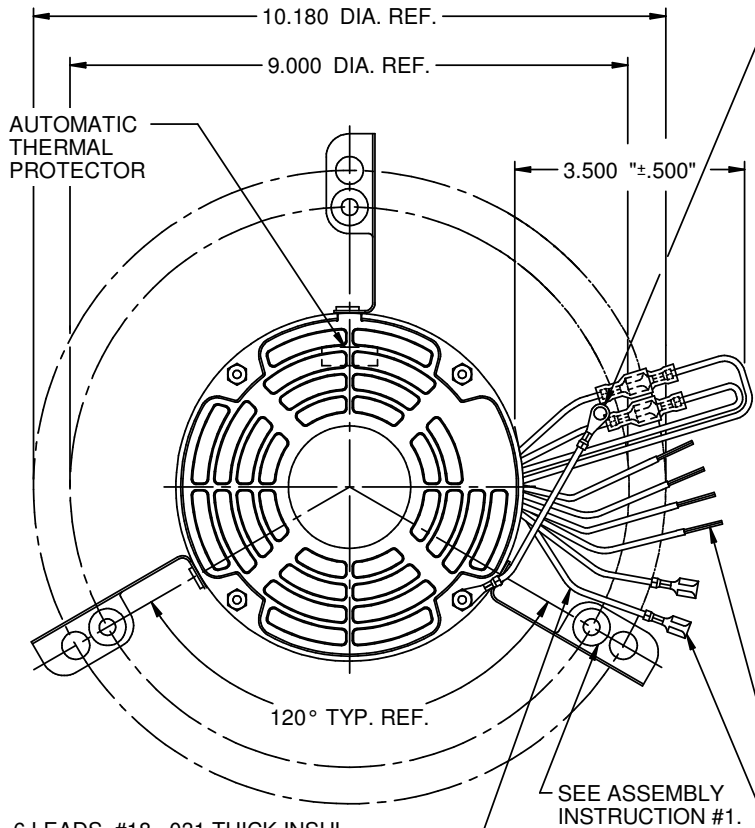


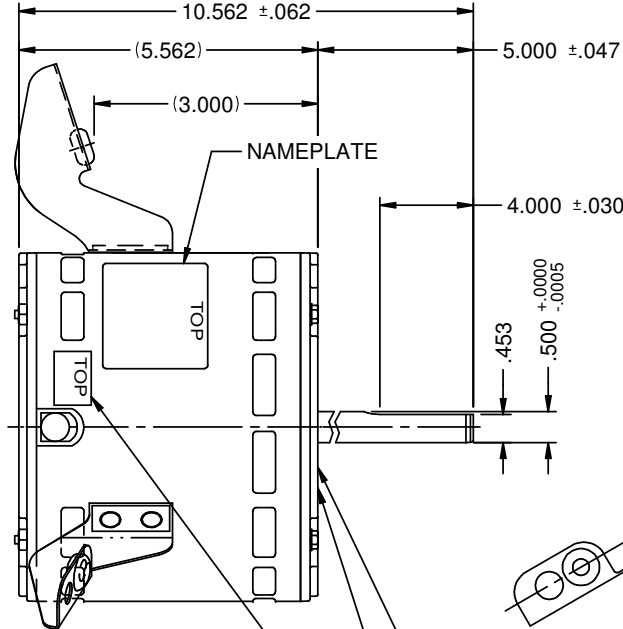
MODEL	REF	CUSTOMER	HP	VOLTS	AMPS	HZ	RPM	ROTATION	CUSTOMER PN	DESCRIPTION / REMARKS
K55HXTLY-9492		STANDARD	1/2	115	7.4	60	1075/3 SPD	CCW LEAD END REV.		



6 LEADS, #18, .031 THICK INSUL. TO EXTEND BEYOND MOTOR  
 WHT=24.000 +2-0, BLK=24.000 +2-0  
 BLU=24.000 +2-0, RED=24.000 +2-0  
 BRN=24.000 +2-0, BRN/WHT=24.000 +2-0

SEE ASSEMBLY INSTRUCTION #1.  
 (2) .250 STRAIGHT TYPE Q.C. TERMS. WITH INSUL. GRIP ON BRN LEADS ONLY.

#16 GRN/YEL GROUND LEAD TO BE 12.000 ±.250 BETWEEN CENTERS OF TERM. TERM TO FIT #10 SCREW.

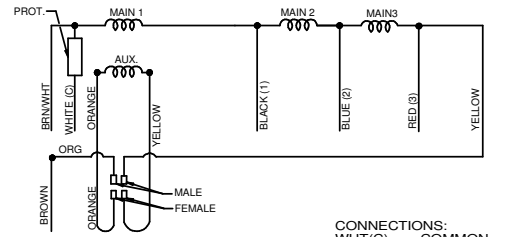
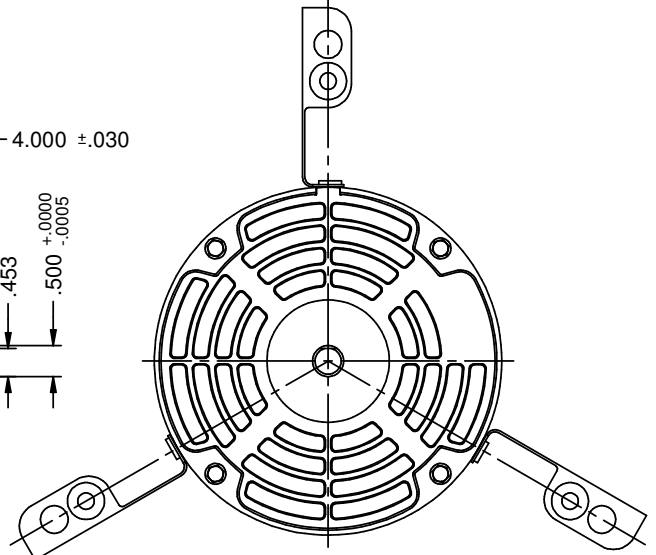


WARNING LABEL TO BE ADJACENT TO REVERSING LEADS.

OIL SLING TO BE PLACED IN OPERATING POSITION AGAINST FACE OF BRG. CAP.

LEADS SKINNED .750 ±.062  
 OPEN ENDSHIELDS (BOTH ENDS)

NOTES:  
 1.) OUTER BOLT CIRCLE DIA. DIM. IS FOR MANUFACTURING REFERENCE ONLY.  
 2.) (4) LEADS #18, .031 THICK INSUL. (2) YELLOW & (2) ORANGE FOR REVERSING ROTATION.



ROTATION IS COUNTER CLOCKWISE VIEWING LEAD END WITH ORG TO ORG & YEL TO YEL. TO REVERSE ROTATION INTERCHANGE ORG & YEL LEADS.

CONNECTIONS:  
 WHT(C) ----- COMMON  
 BLK(1) ----- HIGH  
 BLU(2) ----- MED  
 RED(3) ----- LOW  
 BRN/WHT - CAPACITOR  
 BRN ----- CAPACITOR

REFER TO S.E.I.M. 24-1

NIDEC MOTOR CORPORATION 24-Jan-19	
REVISION RECORD FOR:	E32889
NEW DRAWING CREATED.	
ISSUED BY:	O. CASTANEDA
ENGINEER APPROVED:	M. DE LEON

DIMENSIONS ARE FOR REFERENCE ONLY  
 UNLESS TOLERANCE IS SPECIFIED

<b>NIDEC MOTOR CORPORATION</b>			
INFORMATION DISCLOSED ON THIS DOCUMENT IS CONSIDERED PROPRIETARY AND SHALL NOT BE REPRODUCED OR DISCLOSED WITHOUT WRITTEN CONSENT OF NIDEC MOTOR CORPORATION			
TITLE		CODE	ITEM NO.
CUSTOMER DETAIL DRAWING		V02	824866
REVISION DATE:	24-JAN-19	REV	1 OF 3
SHEET NUMBER	1 OF 3	DWG SIZE	B