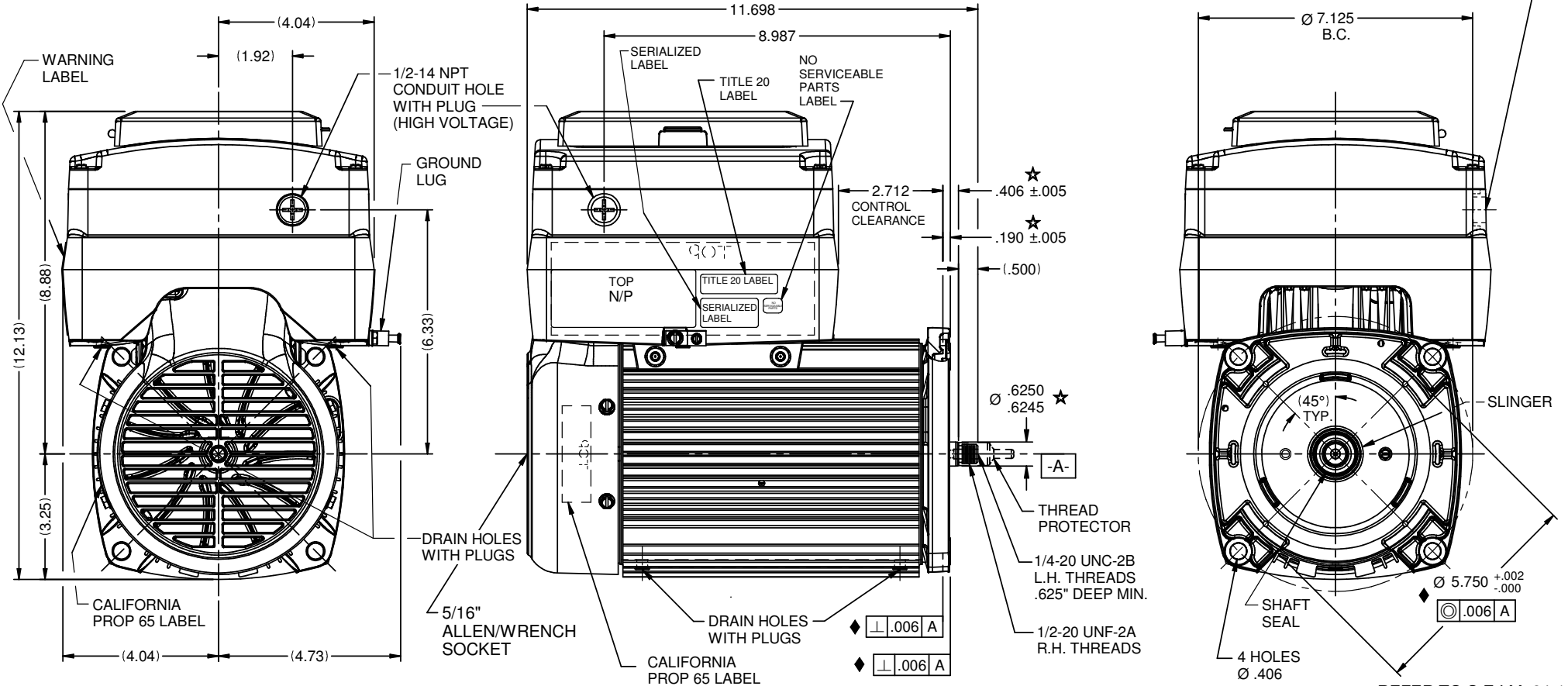


VAR.	MODEL NO.	CUSTOMER	CATALOG NO.	-----	THP	VOLTS	AMPS	HZ	AMBIENT	RPM	CALIFORNIA TITLE 20 LABEL	DESCRIPTION / REMARKS
001	M55PWUFJ-228	POOL AFTERMARKET	NPTQ165		1.65	115 / 230	13.6/6.8	50&60	50° C	3450 / VARIABLE	COMPLIANT	
002	M55PWUFK-229	POOL AFTERMARKET	NPTQ225		2.25	230	9.5	50&60	50° C	3450 / VARIABLE	COMPLIANT	
003	M55PWUFL-230	POOL AFTERMARKET	NPTQ270		2.70	230	11.1	50&60	50° C	3450 / VARIABLE	COMPLIANT	

REV B

- NOTES:
 1.) SHAFT EXTENSION TO BE #300 SERIES STAINLESS STEEL.
 2.) ROTATION: CCW DRIVE END.

1/2-14 NPT CONDUIT HOLE WITH PLUG (LOW VOLTAGE)



REFER TO S.E.I.M. 24-1

NIDEC MOTOR CORPORATION 30-Mar-20

REVISION RECORD FOR: ECO: E36730

CHANGED MODEL NUMBER	
ISSUED BY:	R. SANCHEZ
ENGINEER APPROVED:	S. SCHINZING

TOLERANCES ON DIMENSIONS (UNLESS OTHERWISE SPECIFIED)

INCHES
 .XX = ± .010
 .XXX = ± .005

mm

ANGLES X° = ±1°

NIDEC MOTOR CORPORATION

INFORMATION DISCLOSED ON THIS DOCUMENT IS CONSIDERED PROPRIETARY AND SHALL NOT BE REPRODUCED OR DISCLOSED WITHOUT WRITTEN CONSENT OF NIDEC MOTOR CORPORATION

REVISION DATE: 30-MAR-20

TITLE	CODE	ITEM NO.	REV	SHEET NUMBER	DWG SIZE
CUSTOMER DETAIL DRAWING	V02	827226	B	1 OF 6	B