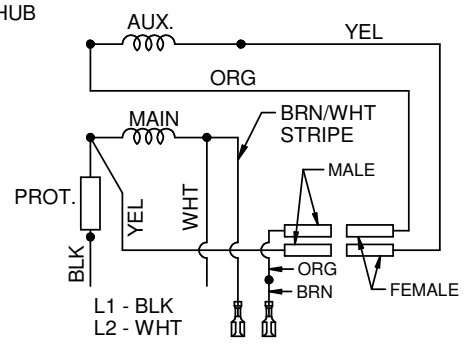
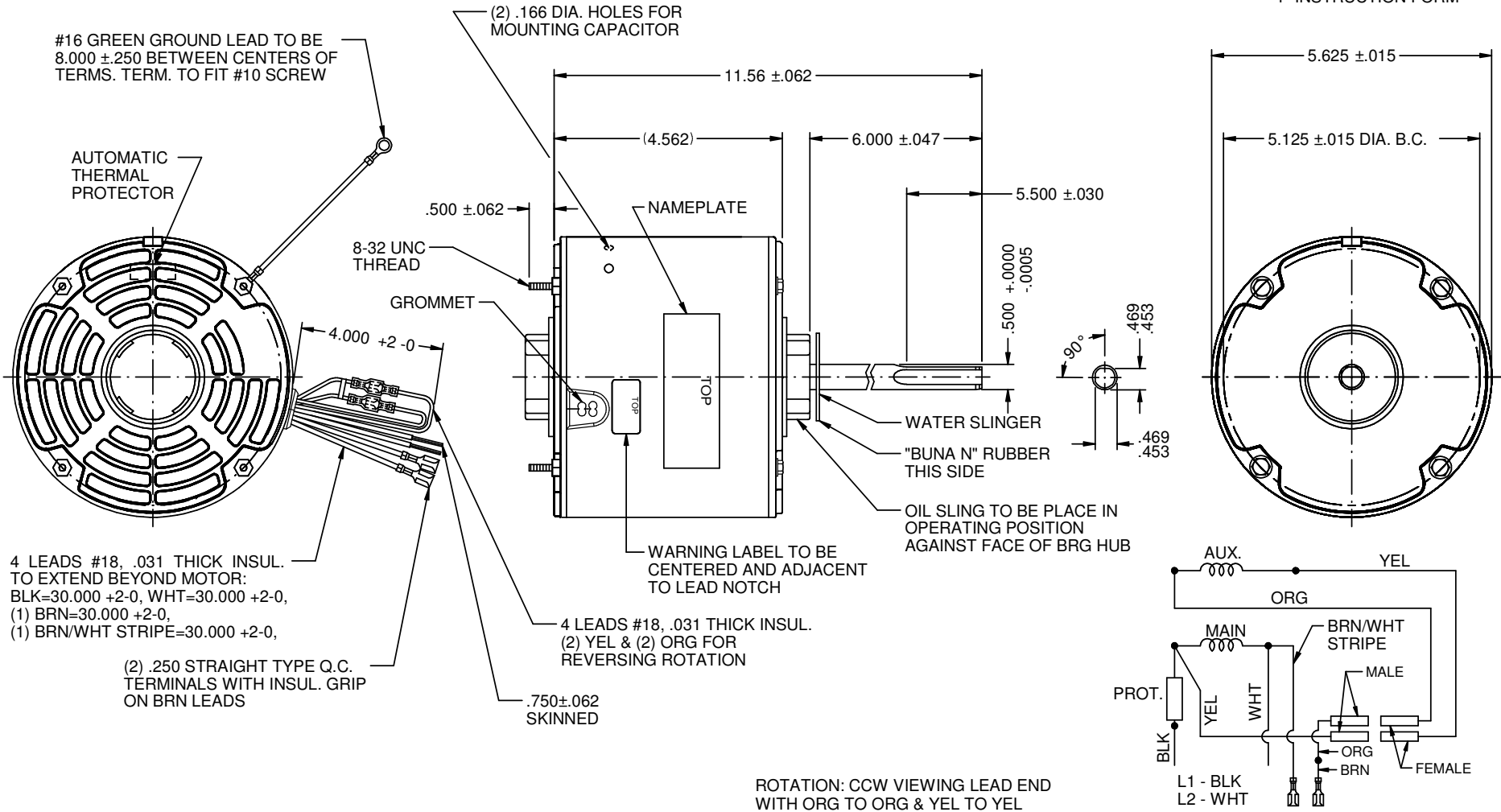


MODEL	REF	CUSTOMER	HP	VOLTS	AMPS	HZ	RPM	ROTATION	CUSTOMER PT. NO.	DESCRIPTION/REMARKS
KA55HXSGB-8666		STANDARD	1/4	230	1.9	60	825	CCW LEAD END, REV.	8666	KA55 STUD MTD., SELF-ALIGN BRG., OPEN

SUPPLIED DETACHED  
1- INSTRUCTION FORM



CAPACITOR  
5MFD 370VAC

ROTATION: CCW VIEWING LEAD END  
WITH ORG TO ORG & YEL TO YEL

REFER TO S.E.I.M. 24-1

NIDEC MOTOR CORPORATION 27-Jun-19

REVISION RECORD FOR:	E33625
NEW DRAWING CREATED.	
ISSUED BY:	O. CASTANEDA
ENGINEER APPROVED:	M. DE LEON

DIMENSIONS ARE FOR  
REFERENCE ONLY  
  
UNLESS TOLERANCE  
IS SPECIFIED

<b>NIDEC MOTOR CORPORATION</b>			
INFORMATION DISCLOSED ON THIS DOCUMENT IS CONSIDERED PROPRIETARY AND SHALL NOT BE REPRODUCED OR DISCLOSED WITHOUT WRITTEN CONSENT OF NIDEC MOTOR CORPORATION			
TITLE		CODE	ITEM NO.
CUSTOMER DETAIL DRAWING		V02	827850
		REV	SHEET NUMBER
		--	1 OF 3
		REVISION DATE:	DWG SIZE
		28-JUN-19	B