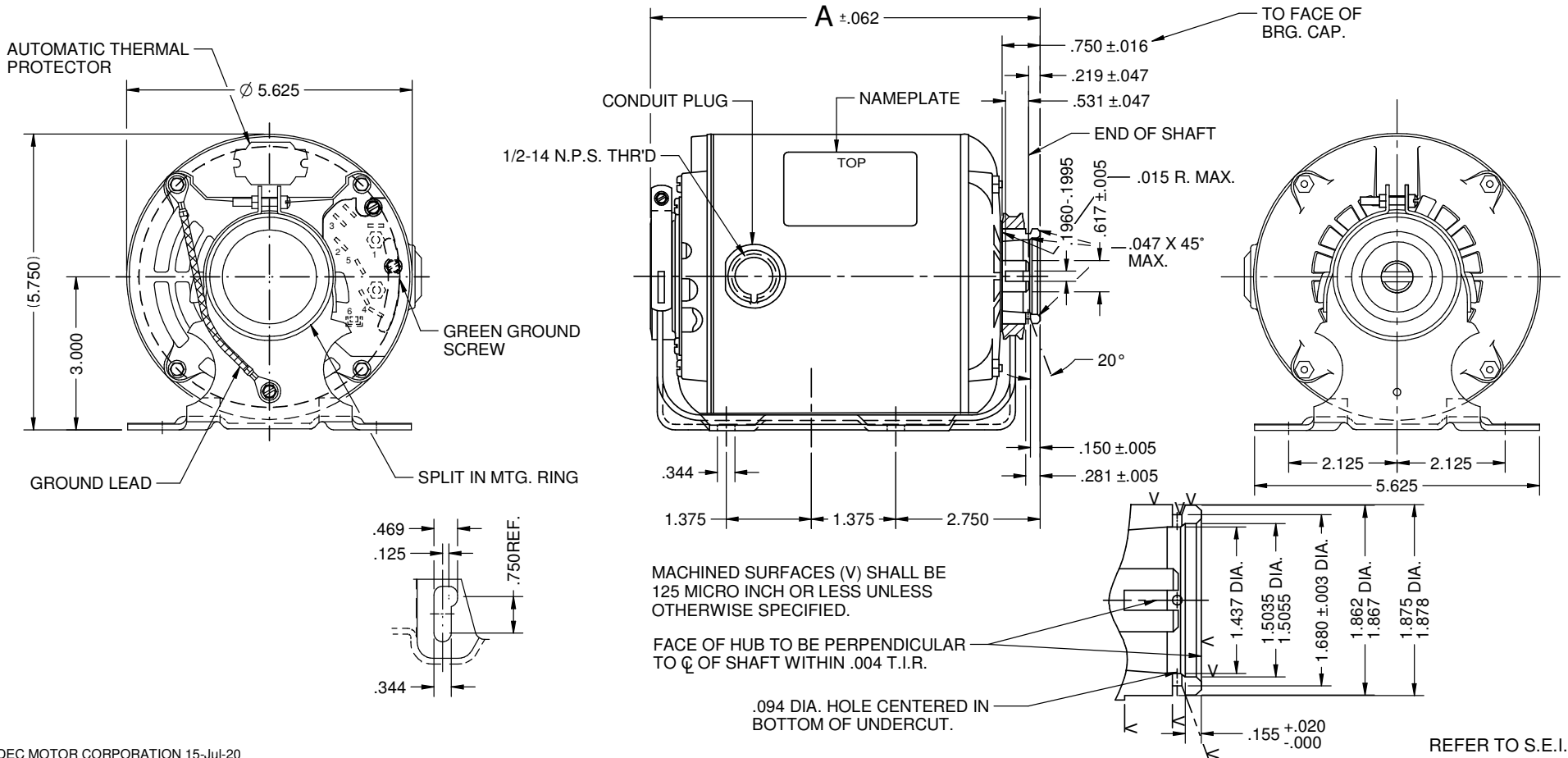


VAR	MODEL	CUSTOMER	CAT.NO.	A	HP	VOLTS	SF	AMPS	HZ	RPM	PROTECTOR	ROTATION	DESCRIPTION/REMARKS
001	S55CXPNA-7672	WHOLESALE- FLUID SYSTEMS	----	9.690	3/4	115/230	1.0	10.0/4.9/9.8/4.9	60/50	1725/1425	AUTOMATIC	CCW LEAD END REV	S55, RES. MTD, BALL BRG, OPEN ALL ANGLE



NIDEC MOTOR CORPORATION 15-Jul-20

REFER TO S.E.I.M. 24-1

NEW DRAWING CREATED		REVISION RECORD FOR: JC 74143	TOLERANCES ON DIMENSIONS (UNLESS OTHERWISE SPECIFIED)		NIDEC MOTOR CORPORATION						
			INCHES .XX = $\pm .010$.XXX = $\pm .005$		INFORMATION DISCLOSED ON THIS DOCUMENT IS CONSIDERED PROPRIETARY AND SHALL NOT BE REPRODUCED OR DISCLOSED WITHOUT WRITTEN CONSENT OF NIDEC MOTOR CORPORATION						
			mm		REVISION DATE: 14-JUL-20						
ISSUED BY: I. GOMEZ		ENGINEER APPROVED: J. MENDOZA	ANGLES $X^\circ = \pm 1^\circ$		TITLE: CUSTOMER DETAIL DRAWING		CODE: V02	ITEM NO.: 833690	REV: --	SHEET NUMBER: 1 OF 4	DWG SIZE: B