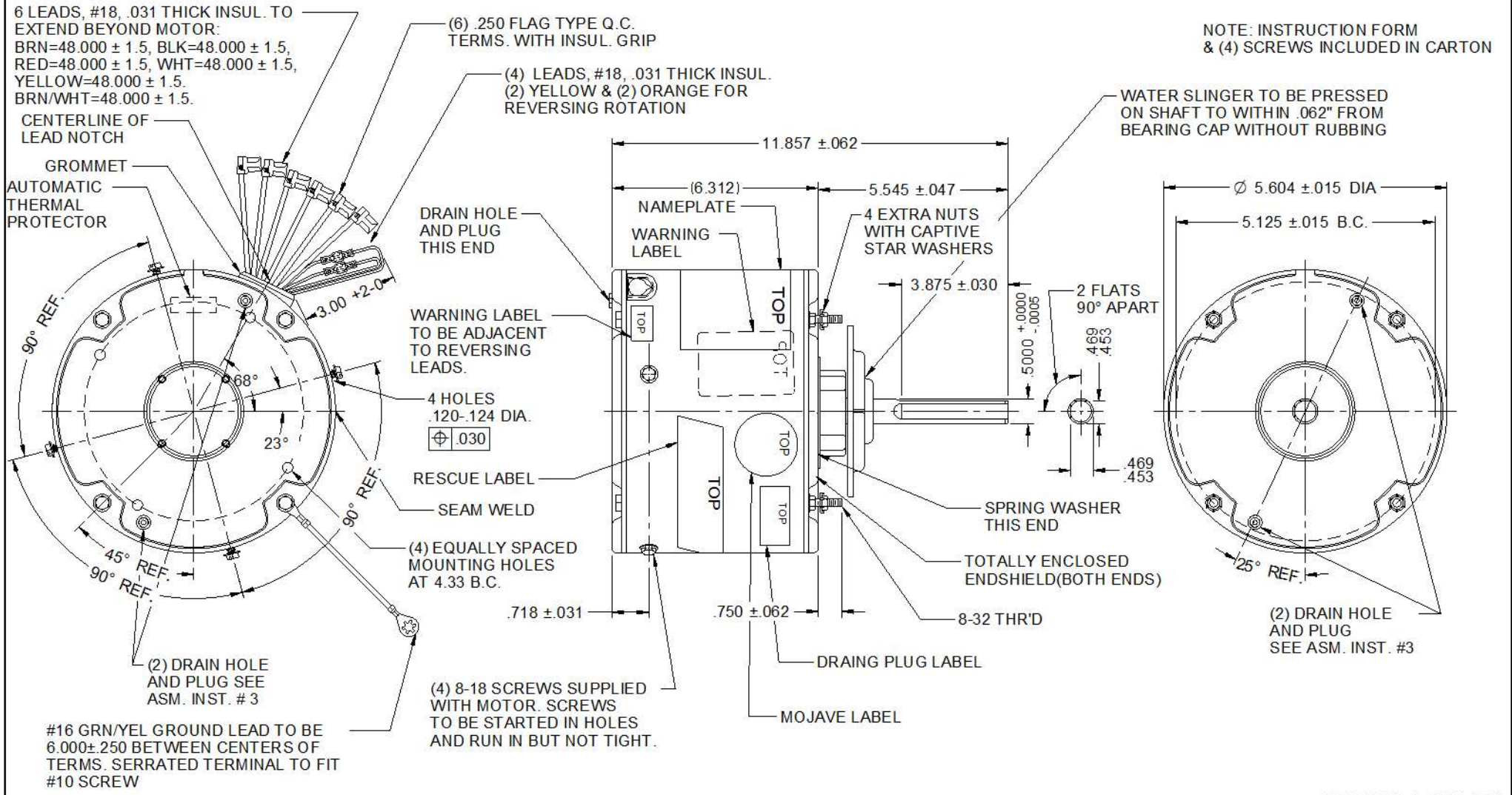


MODEL	REF	CUSTOMER	HP	VOLTS	AMPS	HZ	RPM	ROTATION	CUSTOMER PN.	DESCRIPTION / REMARKS
K55HXWKW-1116	A28511	WHOLESALE-HAC	3/4-1/4	460	2.2	60	1075/2 SPD	CCW LEAD END REV.	5481H	K55 BALL BRG. TOTALLY ENCLOSED



NIDEC MOTOR CORPORATION 20-0 ct-21 REFER TO S.E.I.M. 24-1

REVISION RECORD FOR: ECO: E40895		DIMENSIONS ARE FOR REFERENCE ONLY	NIDEC MOTOR CORPORATION			
NEW DRAWING CREATED			UNLESS TOLERANCE IS SPECIFIED	INFORMATION DISCLOSED ON THIS DOCUMENT IS CONSIDERED PROPRIETARY AND SHALL NOT BE REPRODUCED OR DISCLOSED WITHOUT WRITTEN CONSENT OF NIDEC MOTOR CORPORATION		REVISION DATE: 20-OCT-21
ISSUED BY: R. SANCHEZ	ENGINEER APPROVED: C. LUGO	TITLE: CUSTOMER DETAIL DRAWING		CODE: V02	ITEM NO.: 839696	REV: --
					SHEET NUMBER: 1 OF 3	
					DWG SIZE: B	