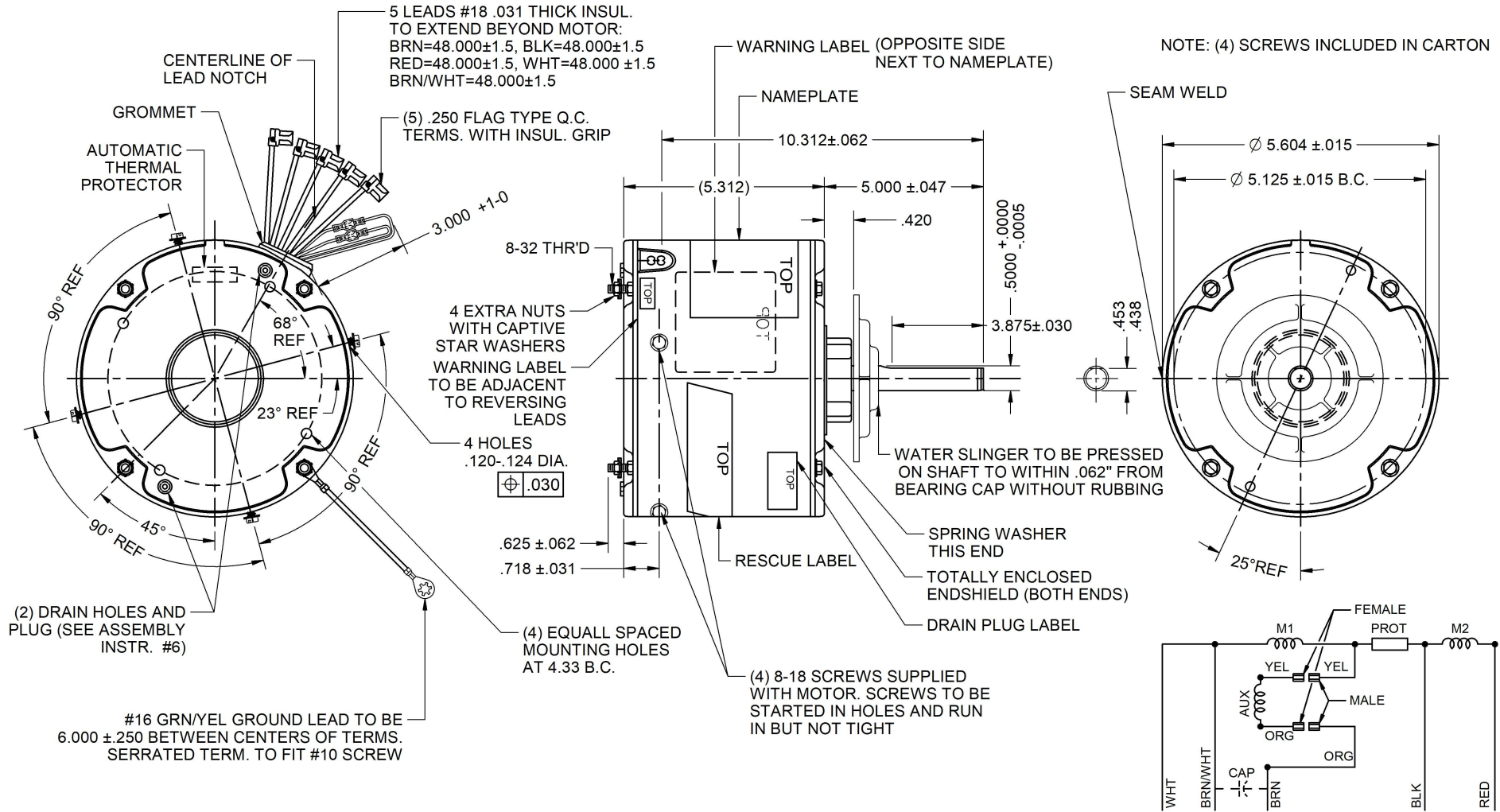


MODEL	REF	CUSTOMER	HP	VOLTS	AMPS	HZ	RPM	ROTATION	CUSTOMER PN	DESCRIPTION/REMARKS
K55HXCLN-1469	D35141	WHOLESALE-HAC	1/3-1/6	208-230	1.9/1.2	60	825/2 SPD	CCW LEAD END REV	5464	K55 BALL BRG, TOTALLY ENCLOSED



NIDEC MOTOR CORPORATION 04-Nov-21

REFER TO S.E.I.M. 24-1

REVISION RECORD FOR:	ECO E40899
ISSUED BY:	E. GONZALEZ
ENGINEER APPROVED:	C. LUGO

DIMENSIONS ARE FOR REFERENCE ONLY
 UNLESS TOLERANCE IS SPECIFIED

NIDEC MOTOR CORPORATION	
INFORMATION DISCLOSED ON THIS DOCUMENT IS CONSIDERED PROPRIETARY AND SHALL NOT BE REPRODUCED OR DISCLOSED WITHOUT WRITTEN CONSENT OF NIDEC MOTOR CORPORATION	
REVISION DATE: 26-OCT-21	
TITLE	REVISION
CUSTOMER DETAIL DRAWING	1 OF 3
CODE	DWG SIZE
V02	B
ITEM NO.	SHEET NUMBER
839720	1 OF 3