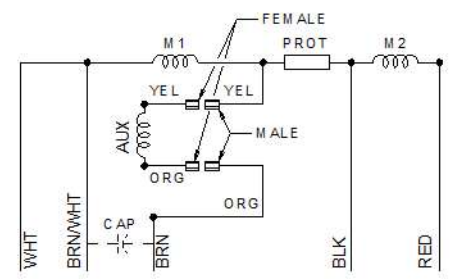
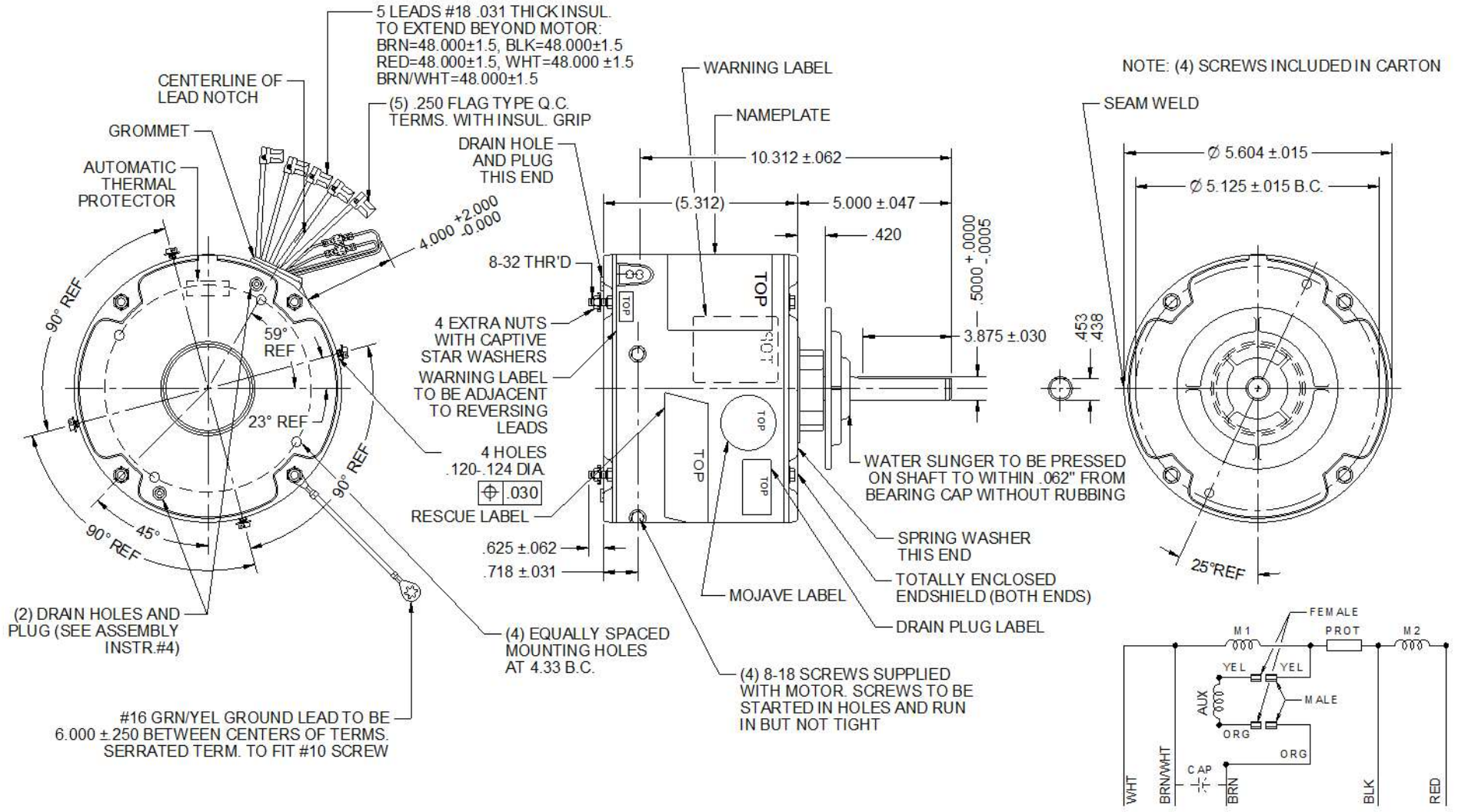


MODEL	REF	CUSTOMER	HP	VOLTS	AMPS	HZ	RPM	ROTATION	CUSTOMER PN	DESCRIPTION/REMARKS
K55HXPSJ-1116		WHOLESALE-HAC	1/3-1/6	208-230	1.9/1.2	60	825/2 SPD	CCW LEAD END REV	5464H	K55 BALL BRG, TOTALLY ENCLOSED



NIDEC MOTOR CORPORATION 04-Nov-21 REFER TO S.E.I.M. 24-1

NEW DRAWING CREATED	REVISION RECORD FOR: ECO E40899
ISSUED BY: E. GONZALEZ	ENGINEER APPROVED: C. LUGO

DIMENSIONS ARE FOR REFERENCE ONLY

UNLESS TOLERANCE IS SPECIFIED

NIDEC MOTOR CORPORATION		INFORMATION DISCLOSED ON THIS DOCUMENT IS CONSIDERED PROPRIETARY AND SHALL NOT BE REPRODUCED OR DISCLOSED WITHOUT WRITTEN CONSENT OF NIDEC MOTOR CORPORATION		REVISION DATE: 26-OCT-21	
TITLE		CODE	ITEM NO.	REV	SHEET NUMBER
CUSTOMER DETAIL DRAWING		V02	839721	-	1 OF 3
					DWG SIZE B