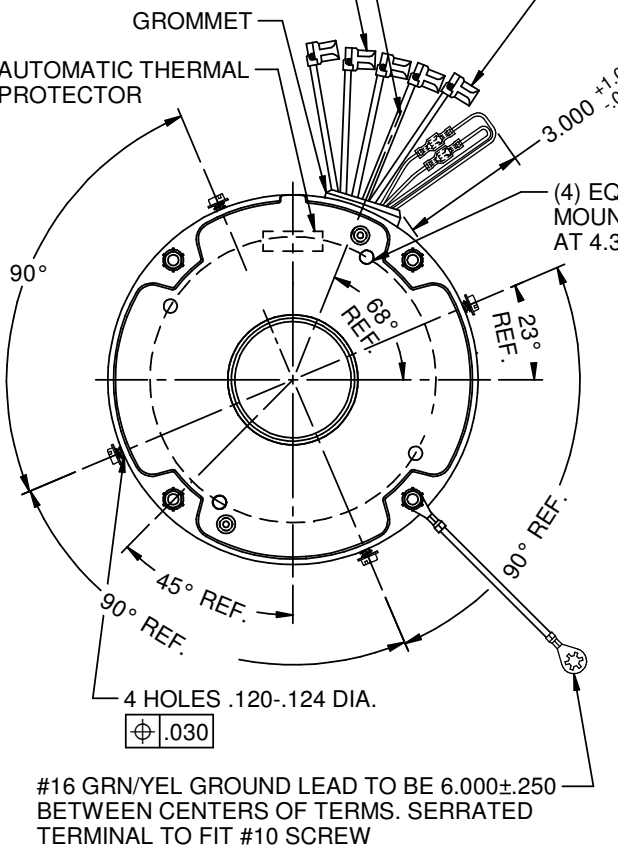


MODEL	REF	CUSTOMER	HP	VOLTS	AMPS	HZ	RPM	ROTATION	CATALOG NO.	DESCRIPTION / REMARKS
K55HXWKY-1117	A28512	WHOLESALE - HAC	3/4 - 1/4	208-230	4.5 - 4.0	60	1075/2 SPD	CCW LEAD END REV	5482H	K55 BALL BRG., TOTALLY ENCLOSED

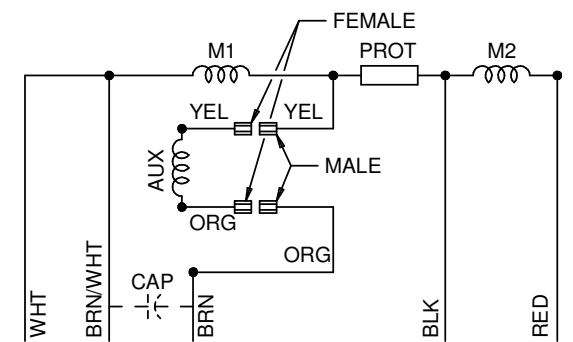
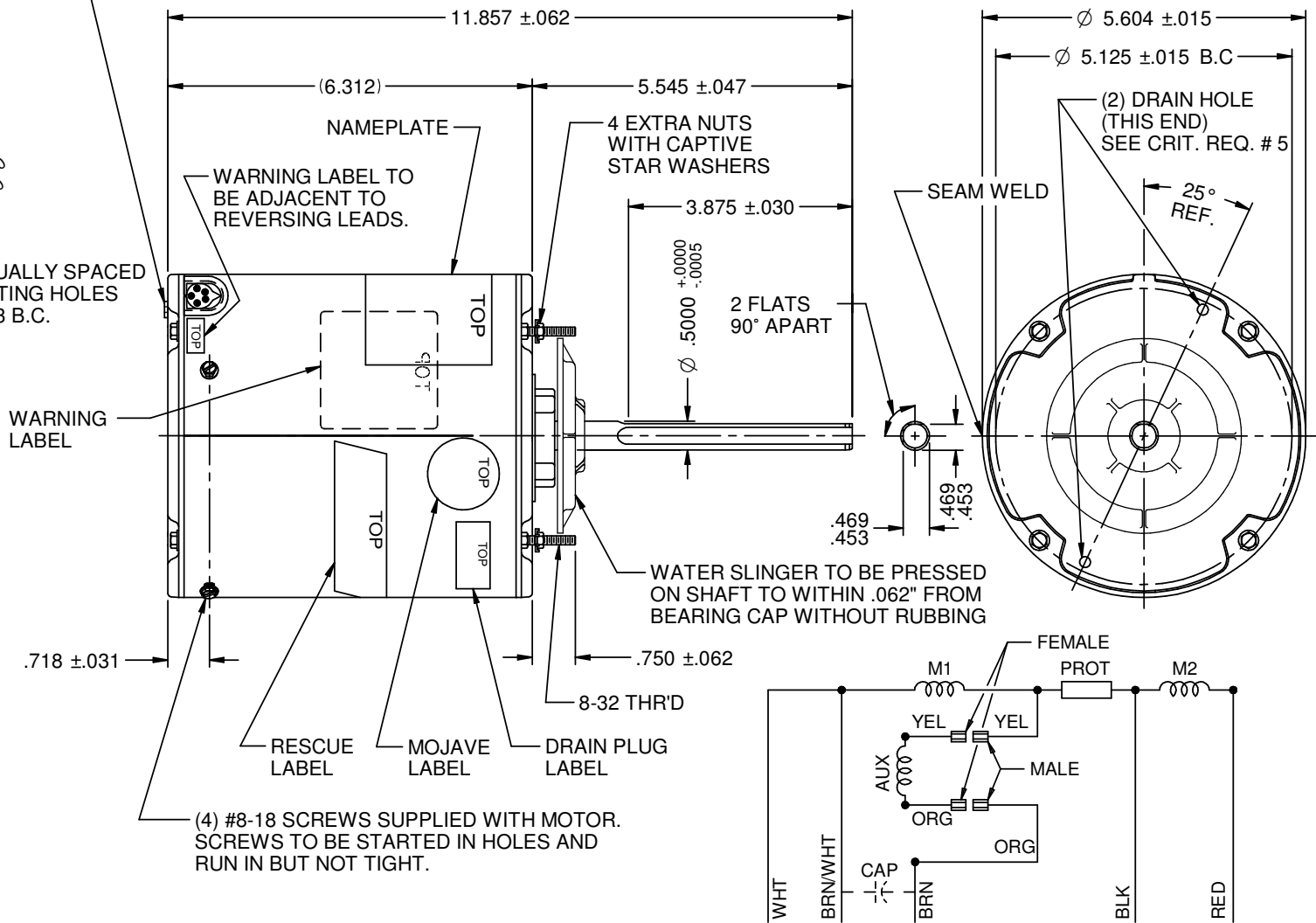
5 LEADS, #18, .031 THICK INSUL. TO EXTEND BEYOND MOTOR: BRN=48.000 ± 1.5, BLK=48.000 ± 1.5, RED=48.000 ± 1.5, WHT=48.000 ± 1.5, BRN/WHT=48.000 ± 1.5.

NOTE: (4) SCREWS INCLUDED IN CARTON

(5) .250 FLAG TYPE Q.C. TERMS. WITH INSUL. GRIP



(2) DRAIN HOLE AND PLUG THIS END



NIDEC MOTOR CORPORATION 05-nov.-21

REVISION RECORD FOR:	ECO: E40894
ISSUED BY:	C. TORRES
ENGINEER APPROVED:	C. LUGO

DIMENSIONS ARE FOR REFERENCE ONLY
UNLESS TOLERANCE IS SPECIFIED

NIDEC MOTOR CORPORATION			
INFORMATION DISCLOSED ON THIS DOCUMENT IS CONSIDERED PROPRIETARY AND SHALL NOT BE REPRODUCED OR DISCLOSED WITHOUT WRITTEN CONSENT OF NIDEC MOTOR CORPORATION			
TITLE		CODE	ITEM NO.
CUSTOMER DETAIL DRAWING		V02	839820
		REV	SHEET NUMBER
		-	1 OF 3
		REVISION DATE:	DWG SIZE
		27-OCT-21	B