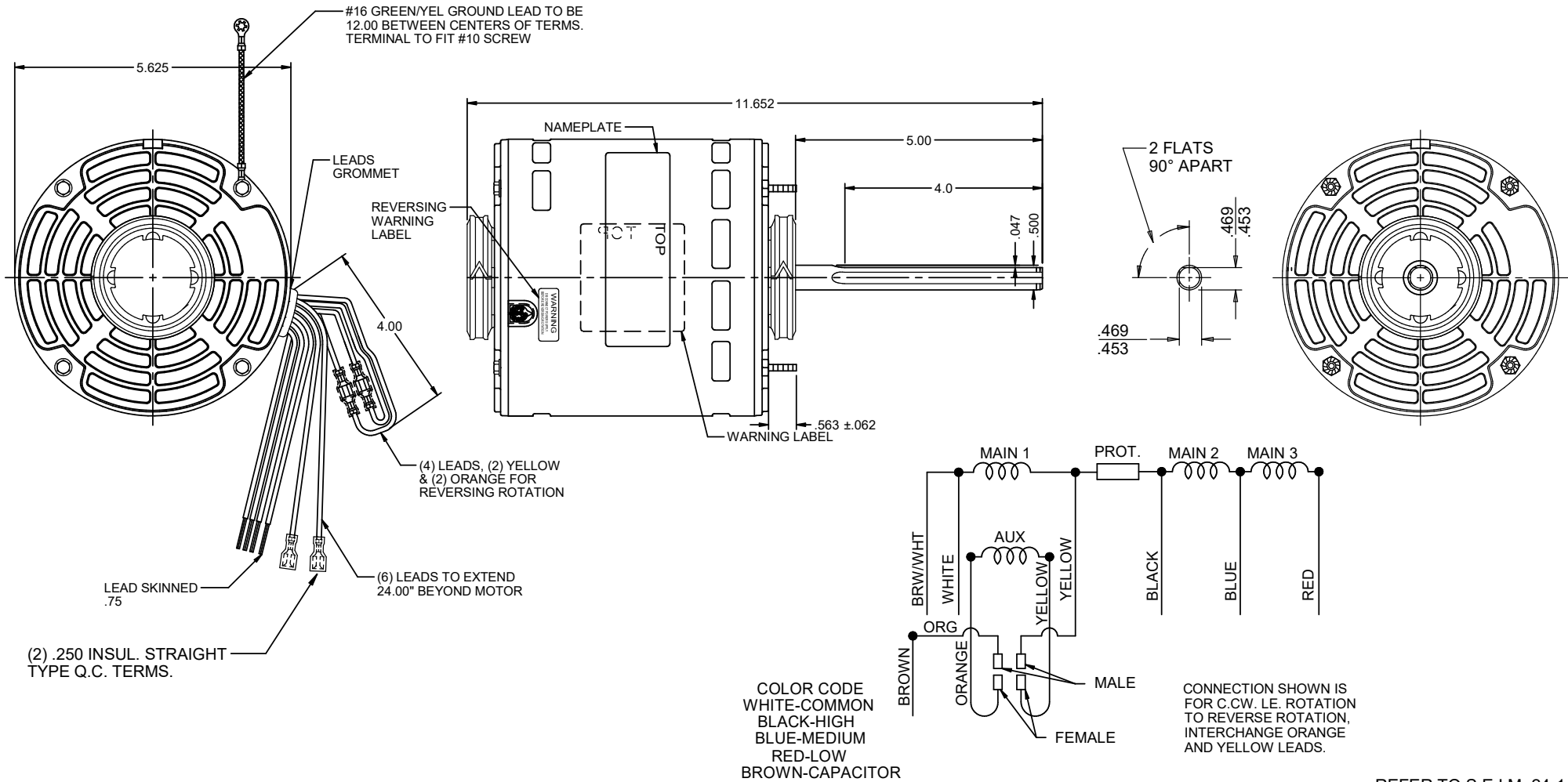


MODEL	REF	CUSTOMER	HP	VOLTS	AMPS	HZ	RPM	ROTATION	CUSTOMER PT. NO.	DESCRIPTION / REMARKS
K55HXWPZ-1413	-----	WHOLESALE-HAC	3/4	208-230	4.0	60	1075/ 3 SPD	CCW LEAD END	8905	K55 OPEN, HUB TYPE, SELF-ALIGN BRG.



NIDEC MOTOR CORPORATION 27-May-22

REFER TO S.E.I.M. 24-1

REVISION RECORD FOR: ECO E41932		DIMENSIONS ARE FOR REFERENCE ONLY		NIDEC MOTOR CORPORATION INFORMATION DISCLOSED ON THIS DOCUMENT IS CONSIDERED PROPRIETARY AND SHALL NOT BE REPRODUCED OR DISCLOSED WITHOUT WRITTEN CONSENT OF NIDEC MOTOR CORPORATION				REVISION DATE: 27-MAY-22			
CREATED DRAWING		UNLESS TOLERANCE IS SPECIFIED						TITLE: CUSTOMER DETAIL DRAWING		CODE: V02	ITEM NO.: 842045
ISSUED BY: J. ALVARADO	ENGINEER APPROVED: M. VALDES										