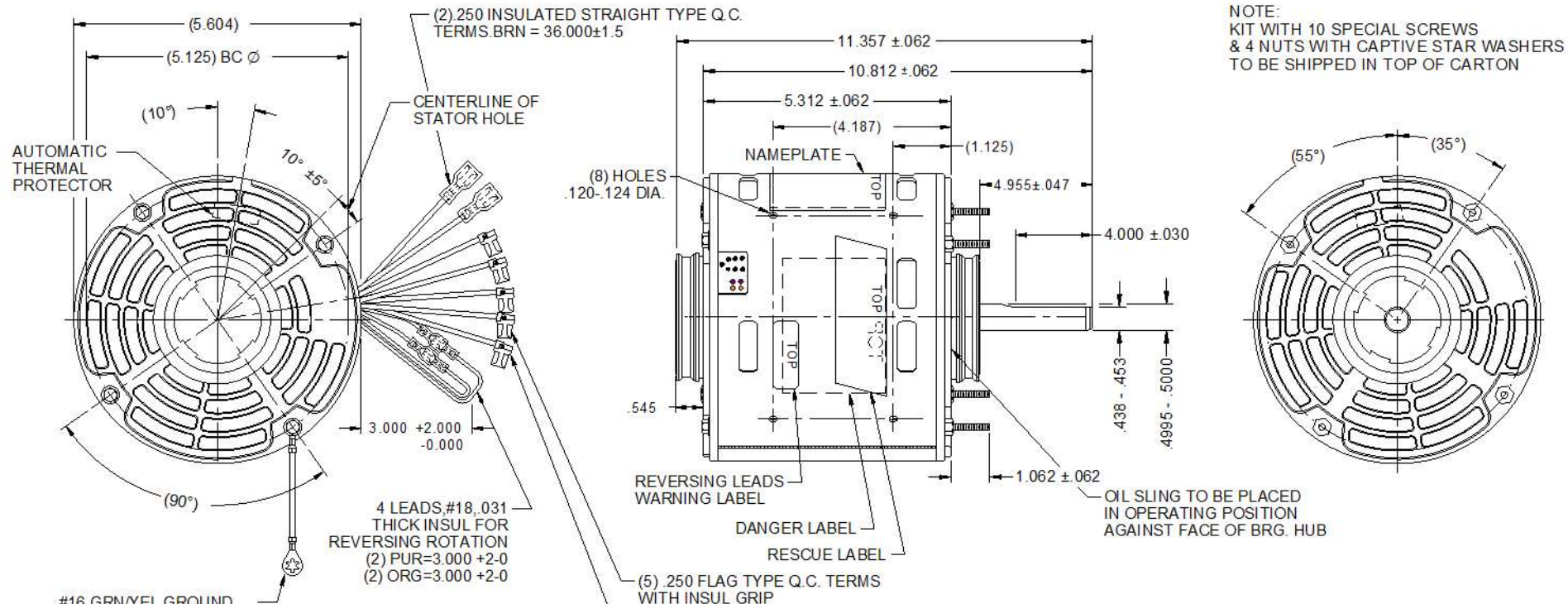


MODEL	REF	CUSTOMER	HP	VOLTS	AMPS	HZ	RPM	ROTATION	CUSTOMER PART	CAT.NO	DESCRIPTION / REMARKS
K55HXENV-0115	A30757	WHOLE SALE - HAC	1/2	115	7.3	60	1075/4SPD	CCW LE REV	--	5460	

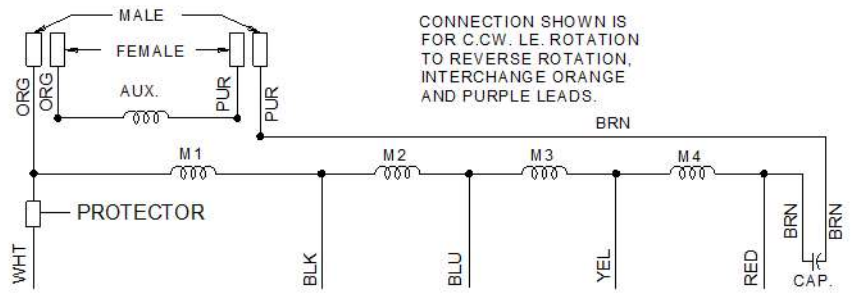


NOTE:
KIT WITH 10 SPECIAL SCREWS
& 4 NUTS WITH CAPTIVE STAR WASHERS
TO BE SHIPPED IN TOP OF CARTON

#16 GRN/YEL GROUND LEAD TO BE 12.000±.250 BETWEEN CENTERS OF TERMS. SERRATED TERM TO FIT #10 SCREW

4 LEADS, #18, .031 THICK INSUL FOR REVERSING ROTATION
(2) PUR=3.000 +2-0
(2) ORG=3.000 +2-0

5 LEADS, #18, .031 THICK INSUL TO EXTEND BEYOND MOTOR
YEL=36.000±1.500, BLK=36.000±1.500, BLU=36.000±1.500, WHT=36.000±1.500, RED=36.000±1.500.



NIDEC MOTOR CORPORATION 30-Sep-22 REFER TO S.E.I.M. 24-1

REVISION RECORD FOR: E.C.O E43095		TOLERANCES ON DIMENSIONS (UNLESS OTHERWISE SPECIFIED)		NIDEC MOTOR CORPORATION INFORMATION DISCLOSED ON THIS DOCUMENT IS CONSIDERED PROPRIETARY AND SHALL NOT BE REPRODUCED OR DISCLOSED WITHOUT WRITTEN CONSENT OF NIDEC MOTOR CORPORATION				REVISION DATE: 30-SEP-22	
ISSUED BY: C.ALMAGUER	ENGINEER APPROVED: M.VALDES	INCHES .XX = ±.010 .XXX = ±.005	mm					TITLE: CUSTOMER DETAIL DRAWING	CODE: V02
		ANGLES X° = ±1°		SOLIDEDGE					