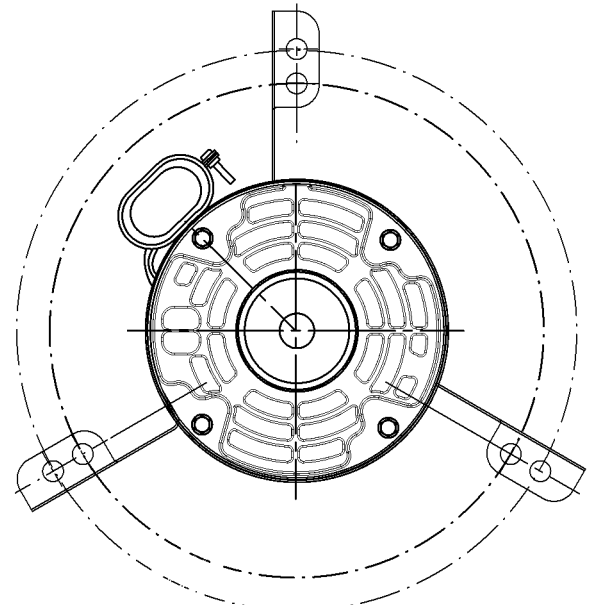
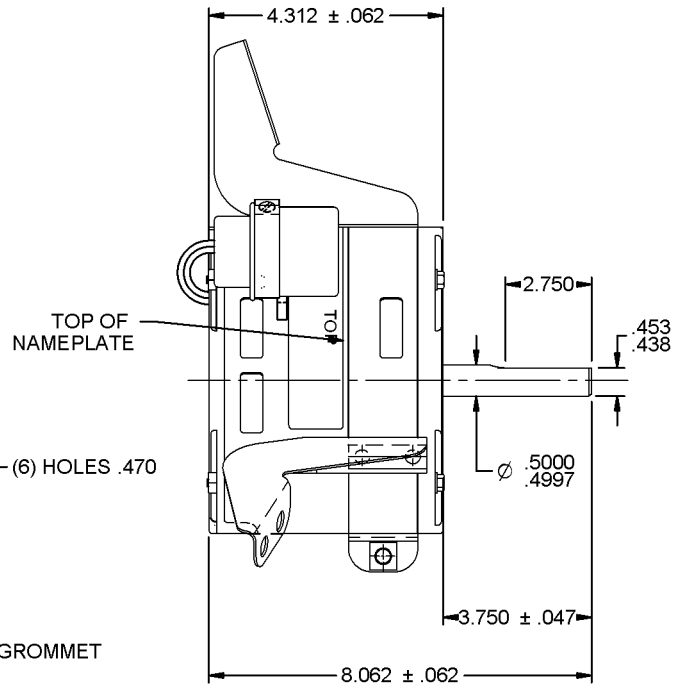
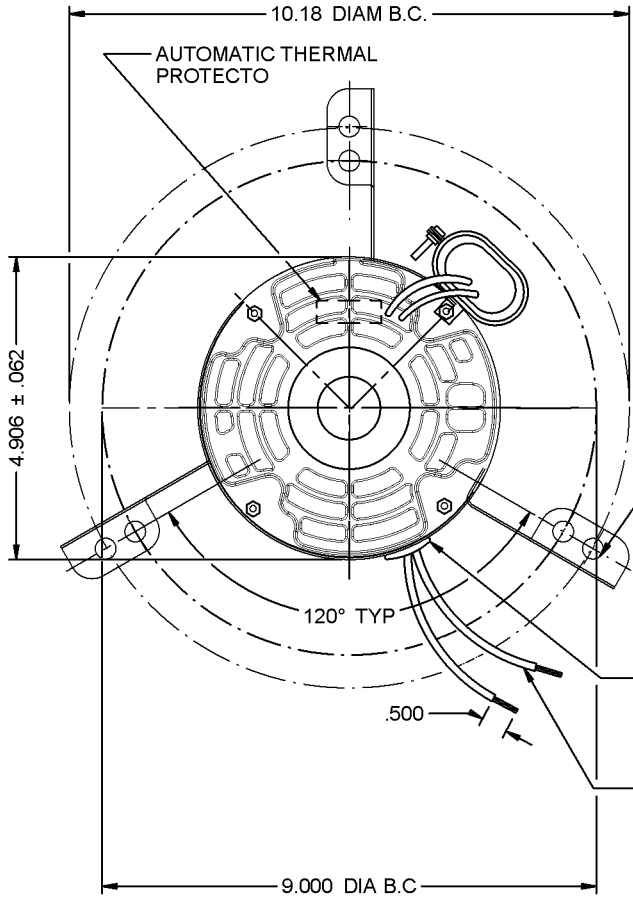


| MODEL | REF | CUSTOMER | HP | VOLTS | AMPS | HZ | RPM | ROTATION | CUSTOMER PT. NO. | DESCRIPTION / REMARKS |
|---------------|--------|---------------|-----|-------|------|----|------|--------------|------------------|--|
| K48HXWGL-4383 | A27360 | WHOLESALE-HAC | 1/5 | 115 | 3.0 | 60 | 1050 | CCW LEAD END | 2867P | K48 HUBLESS SELF ALIGNING BEARING OPEN |



KIT 43 E- BAND SUPPORT ASM SUPPLIED SEPARATELY WITH MOTOR IN CARTON. ASSEM. INST. #1

NIDEC MOTOR CORPORATION 28-oct.-22

REFER TO S.E.I.M. 24-1

| | |
|---------------------------------|------------------------------|
| REVISION RECORD FOR: ECO E43296 | |
| DRAWING NEW | |
| ISSUED BY: M. GONZALEZ | ENGINEER APPROVED: M. VALDES |

DIMENSIONS ARE FOR REFERENCE ONLY
UNLESS TOLERANCE IS SPECIFIED

| NIDEC MOTOR CORPORATION | | | | |
|--|------------------|--------|----------------------|--------------------------|
| INFORMATION DISCLOSED ON THIS DOCUMENT IS CONSIDERED PROPRIETARY AND SHALL NOT BE REPRODUCED OR DISCLOSED WITHOUT WRITTEN CONSENT OF NIDEC MOTOR CORPORATION | | | | |
| TITLE: CUSTOMER DETAIL DRAWING | | | | REVISION DATE: 28-OCT-22 |
| CODE: V02 | ITEM NO.: 844072 | REV: - | SHEET NUMBER: 1 OF 3 | DWG SIZE: B |