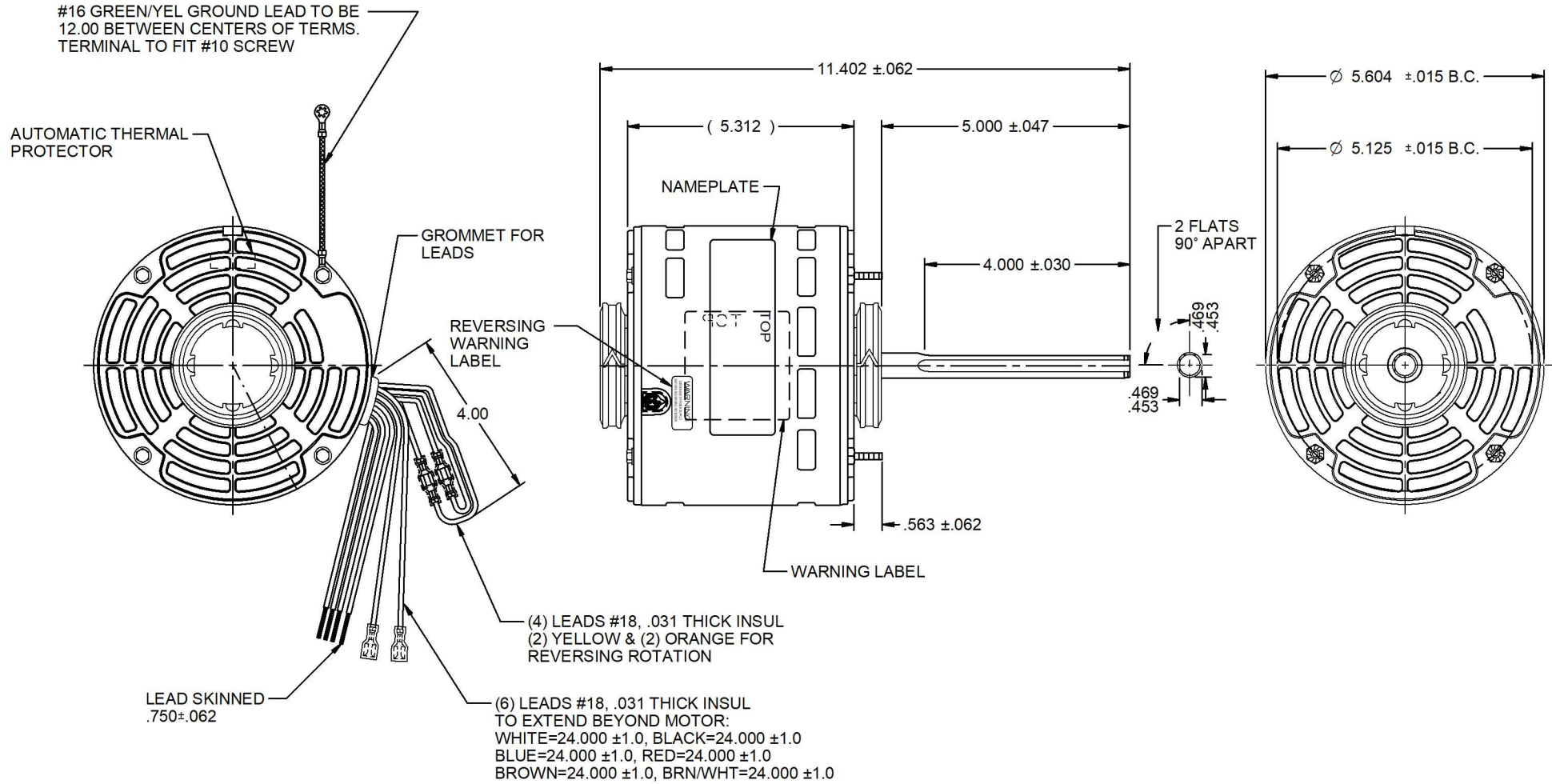


MODEL	REF	CUSTOMER	HP	VOLTS	AMPS	HZ	RPM	ROTATION	CUSTOMER PART. NO.	DESCRIPTION / REMARKS
K55HXWPY-1412		WHOLESALE-HAC	3/4	115	9.5	60	1075/3 SPD	CCW LEAD END REV.	8904	K55 OPEN, HUB TYPE, SELF-BRG.



NIDEC MOTOR CORPORATION 30-Jan-23

REFER TO S.E.I.M. 24-1

CREATED DRAWING	REVISION RECORD FOR: ECO: E43853
ISSUED BY: G. ISASSI	ENGINEER APPROVED: M. VALDES

DIMENSIONS ARE FOR REFERENCE ONLY

UNLESS TOLERANCE IS SPECIFIED

<b>NIDEC MOTOR CORPORATION</b>			
INFORMATION DISCLOSED ON THIS DOCUMENT IS CONSIDERED PROPRIETARY AND SHALL NOT BE REPRODUCED OR DISCLOSED WITHOUT WRITTEN CONSENT OF NIDEC MOTOR CORPORATION			
TITLE		REVISION DATE:	
CUSTOMER DETAIL DRAWING		30-JAN-23	
CODE	ITEM NO.	REV	SHEET NUMBER
V02	844618	-	1 OF 3
			DWG SIZE
			B