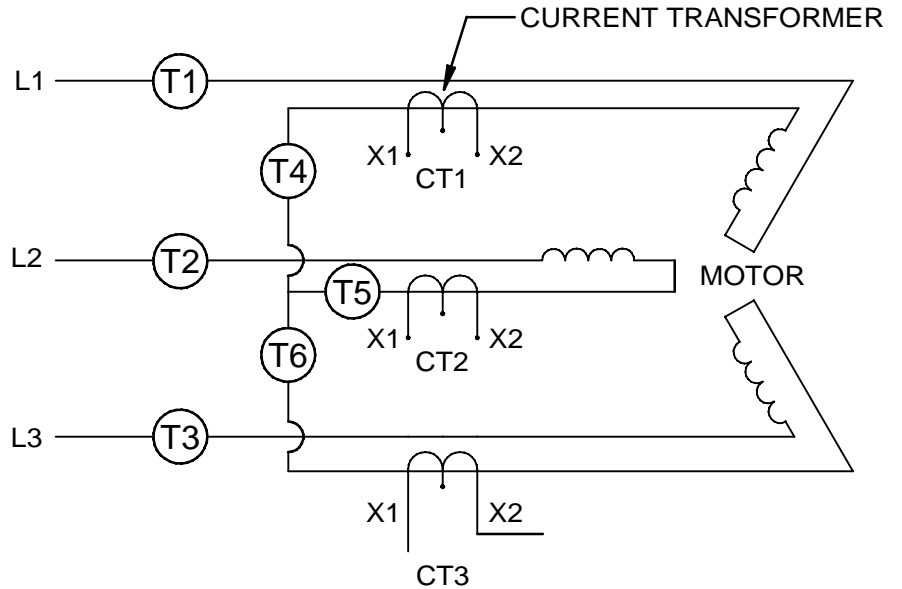
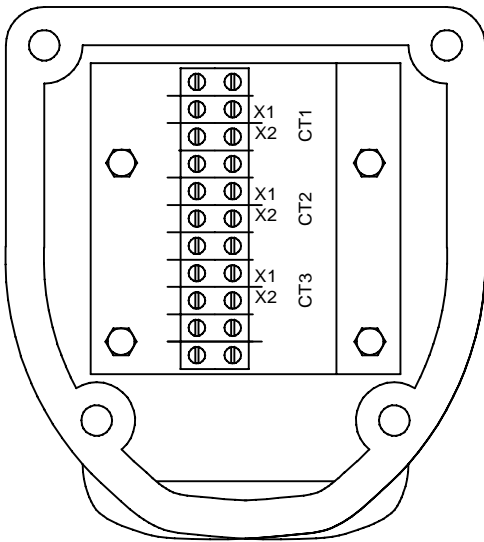




Motor Wiring Diagram

**Single Voltage, Wye Connected, with Partial Current Transformer Protection**



1.) Current Transformer leads are terminated in an Accessory Outlet Box mounted to the Main Outlet Box.

TYPICAL CT CONNECTION  
Wye Connected, Single Winding

**NOTICE**

CONNECTIONS - EACH LEAD MAY CONSIST OF ONE OR MORE  
 CABLES: L1-T1, L2-T2, L3-T3, T4, T5, T6 TOGETHER  
 FOR CURRENT TRANSFORMERS (IF PRESENT)  
 LEADS 4 THROUGH CT1  
 LEADS 5 THROUGH CT2  
 LEADS 6 THROUGH CT3

359282

To reverse direction of rotation, interchange leads L1 & L2.

Each lead may have one or more cables comprising that lead.  
In such case, cable will be marked with the appropriate lead number.

Connection Plate: 2010949

Revised: RWK

Connection Decal: -----

Issued: BTG  
01/17/12