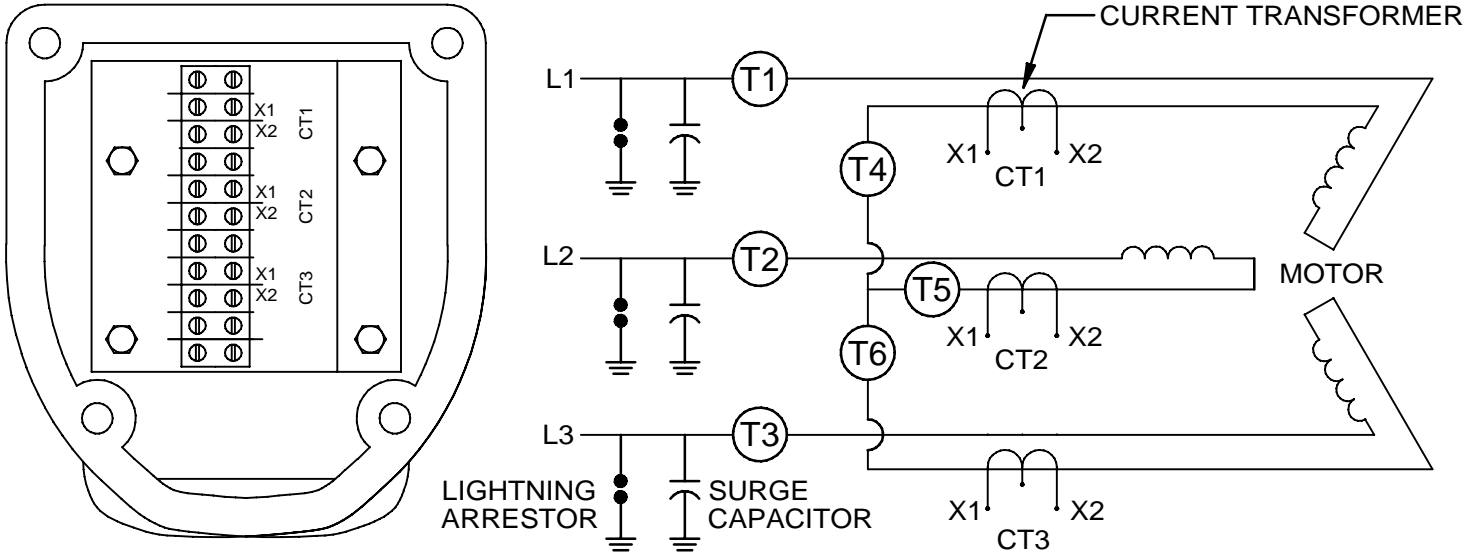




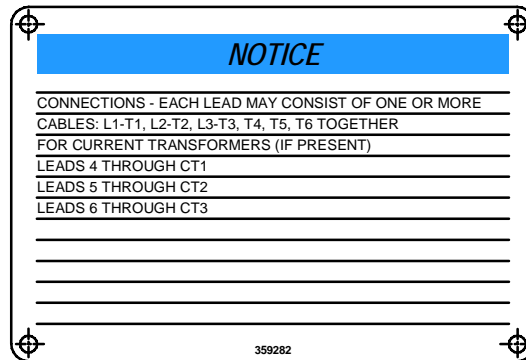
Motor Wiring Diagram

Single Voltage, Wye Connected, with Partial Current Transformer Protection, Lightning Arrestors & Surge Capacitors



Wye Connected, Single Winding

- 1.) Attach incoming power leads to the Lightning Arrestor Terminals.
- 2.) Current Transformer leads are terminated in an Accessory Outlet Box mounted to the Main Outlet Box.



To reverse direction of rotation, interchange leads L1 & L2.

Each lead may have one or more cables comprising that lead. In such case, cable will be marked with the appropriate lead number.

Connection Plate: 2010949

Revised: -----

Connection Decal: -----

Issued: BTG
01/06/12