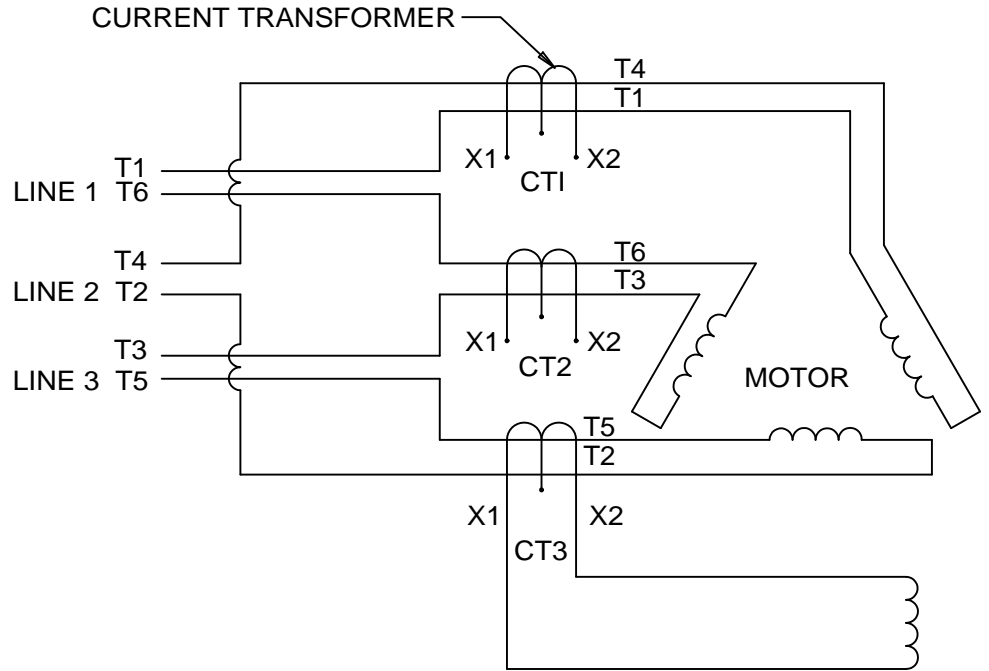
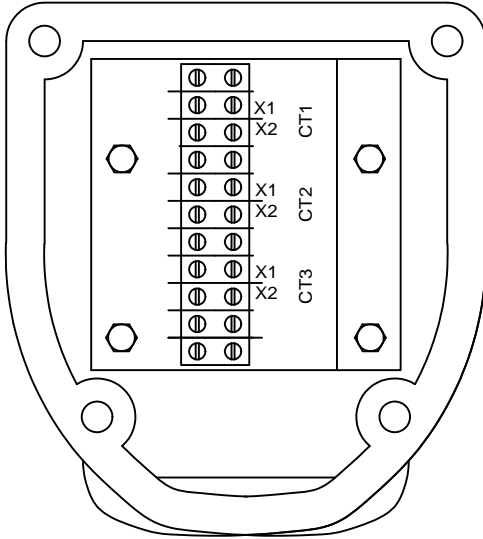




587-13816

Motor Wiring Diagram

Single Voltage, Delta Connected, with Current Transformers



1.) Current Transformer leads are terminated in an Accessory Outlet Box mounted to the Main Outlet Box.



Delta Connected, Single Winding

NOTICE

CONNECTIONS - EACH LEAD MAY CONSIST OF ONE OR MORE CABLES: L1-T1&T6, L2-T2&T4, L3-T3 & T5

FOR CURRENT TRANSFORMERS

LEADS 1 & 4 THROUGH CT1

LEADS 3 & 6 THROUGH CT2

LEADS 2 & 5 THROUGH CT3

359282

To reverse direction of rotation, interchange leads L1 & L2.

Each lead may have one or more cables comprising that lead. In such case, cable will be marked with the appropriate lead number.

Connection Plate: 978576
Connection Decal: -----

Revised: RWK
Issued: CLC 8/24/15

NIDEC MOTOR CORPORATION
ST. LOUIS, MISSOURI